

Additional operating instructions for hazardous areas (Ex d, Ex t)  
Models TR12 and TC12

EN

Zusatz-Betriebsanleitung für explosionsgefährdete Bereiche  
(Ex d, Ex t), Typen TR12 und TC12

DE

Mode d'emploi complémentaire pour zones  
explosives (Ex d, Ex t), types TR12 et TC12

FR

Manual de instrucciones adicional para zonas potencialmente  
explosivas (Ex d, Ex t), Modelos TR12 y TC12

ES



BVS 07 ATEX E 071 X  
IECEx BVS 11.0042X



Models TR12-B-xDxx, TC12-B-xDxx



Models TR12-M-xDxx, TC12-M-xDxx

<b>EN</b>	<b>Additional operating instructions models TR12, TC12 (Ex d, Ex t)</b>	<b>Page</b>	<b>3 - 37</b>
<b>DE</b>	<b>Zusatz-Betriebsanleitung Typen TR12, TC12 (Ex d, Ex t)</b>	<b>Seite</b>	<b>38 - 54</b>
<b>FR</b>	<b>Mode d'emploi complémentaire types TR12, TC12 (Ex d, Ex t)</b>	<b>Page</b>	<b>55 - 82</b>
<b>ES</b>	<b>Manual de instrucciones adicional modelos TR12, TC12 (Ex d, Ex t)</b>	<b>Página</b>	<b>83 - 106</b>

© 03/2019 WIKA Alexander Wiegand SE & Co. KG  
All rights reserved. / Alle Rechte vorbehalten.  
WIKA® is a registered trademark in various countries.  
WIKA® ist eine geschützte Marke in verschiedenen Ländern.

Prior to starting any work, read the operating instructions!  
Keep for later use!

Vor Beginn aller Arbeiten Betriebsanleitung lesen!  
Zum späteren Gebrauch aufbewahren!

Lire le mode d'emploi avant de commencer toute opération !  
A conserver pour une utilisation ultérieure !

¡Leer el manual de instrucciones antes de comenzar cualquier trabajo!  
¡Guardar el manual para una eventual consulta!

# Contents

<b>1. Ex marking</b>	<b>4</b>
<b>2. Safety</b>	<b>9</b>
<b>3. Commissioning, operation</b>	<b>15</b>
<b>4. Special conditions of use (X conditions)</b>	<b>24</b>
<b>5. Calculation examples for self-heating at the thermowell tip</b>	<b>25</b>
<b>Annex 1: EU declaration of conformity</b>	<b>27</b>
<b>Annex 2: WIKA ATEX and IECEx case and instrument list</b>	<b>28</b>

## 1. Ex marking

### Supplementary documentation:

- ▶ This additional information for hazardous areas applies in conjunction with the operating instructions “Resistance thermometer TR12 and thermocouple TC12” (article number 14064370).

EN

## 1. Ex marking



### **DANGER!**

#### **Danger to life from explosion**

Non-observance of these instructions and their contents may result in the loss of explosion protection.

- ▶ Observe the safety instructions in this chapter and further explosion instructions in these operating instructions.
- ▶ Follow the requirements of the ATEX directive.
- ▶ Observe the information given in the applicable type examination certificate and the relevant regulations for installation and use in hazardous areas (e.g. EN IEC 60079-0, IEC 60079-1, IEC 60079-10 and IEC 60079-14).

Check whether the classification is suitable for the application. Observe the relevant national regulations.

# 1. Ex marking

## Series T\*12-B-\*DB or T\*12-B-\*DC (flameproof enclosure)

Variant 1: empty enclosure				
Electrical data	Marking	Thermowell	Temperatures	
			Temperature class	Ambient <sup>1)</sup>
U <sub>max</sub> = 30 V	II 2G Ex db IIC T* 2) 3) Gb	No	T1 ... T5	-40 ... +85 °C [-40 ... +185 °F] -60 ... +85 °C [-76 ... +185 °F]
	II 1/2G Ex db IIC T* 2) 3) Ga/Gb	Yes	T1 ... T5	-40 ... +85 °C [-40 ... +185 °F] -60 ... +85 °C [-76 ... +185 °F]
	II 2G Ex db IIC T6 3) Gb	No	T6	-40 ... +80 °C [-40 ... +176 °F] -60 ... +80 °C [-76 ... +176 °F]
	II 1/2G Ex db IIC T6 3) Ga/Gb	Yes	T6	-40 ... +80 °C [-40 ... +176 °F] -60 ... +80 °C [-76 ... +176 °F]

- 1) The low ambient temperature of -40 °C [-40 °F] applies to models with Rosemount or Limatherm enclosures. The low ambient temperature of either -40 °C [-40 °F] or -60 °C [-76 °F] applies to models with WIKA enclosures series 1/4000, 5/6000, 7/8000. For explanation of symbols for the low temperature range, see page 14.
- 2) The temperature class depends on the ambient temperature.
- 3) The maximum surface temperature (T<sub>max</sub>) at the tip of the probe or thermowell = T<sub>p</sub> (process temperature) + self-heating. Refer to manual for calculation method.

# 1. Ex marking

## Variant 2: empty enclosure + electronics

Electrical data	Marking	Thermowell	Temperatures	
			Temperature class	Ambient <sup>1)</sup>
$U_{\max} = 30 \text{ V}$ $P_{\max} = 2 \text{ W}$	II 2G Ex db IIC T* <sup>2)3)</sup> Gb	No	T1 ... T4	-40 ... +85 °C [-40 ... +185 °F] -60 ... +85 °C [-76 ... +185 °F]
	II 1/2G Ex db IIC T* <sup>2)3)</sup> Ga/Gb	Yes	T1 ... T4	-40 ... +85 °C [-40 ... +185 °F] -60 ... +85 °C [-76 ... +185 °F]
	II 2G Ex db IIC T5 <sup>3)</sup> Gb	No	T5	-40 ... +70 °C [-40 ... +158 °F] -60 ... +70 °C [-76 ... +158 °F]
	II 1/2G Ex db IIC T5 <sup>3)</sup> Ga/Gb	Yes	T5	-40 ... +70 °C [-40 ... +158 °F] -60 ... +70 °C [-76 ... +158 °F]
	II 2G Ex db IIC T6 <sup>3)</sup> Gb	No	T6	-40 ... +55 °C [-40 ... +131 °F] -60 ... +55 °C [-76 ... +131 °F]
	II 1/2G Ex db IIC T6 <sup>3)</sup> Ga/Gb	yes	T6	-40 ... +55 °C [-40 ... +131 °F] -60 ... +55 °C [-76 ... +131 °F]

- 1) The low ambient temperature of -40 °C [-40 °F] applies to models with Rosemount or Limatherm enclosures. The low ambient temperature of either -40 °C [-40 °F] or -60 °C [-76 °F] applies to models with WIKA enclosures series 1/4000, 5/6000, 7/8000. For explanation of symbols for the low temperature range, see page 14.
- 2) The temperature class depends on the ambient temperature.
- 3) The maximum surface temperature ( $T_{\max}$ ) at the tip of the probe or thermowell =  $T_p$  (process temperature) + self-heating. Refer to manual for calculation method.

## Variant 3: certified equipment (field transmitter)

Electrical data	Marking	Temperatures	
		Temperature class	Ambient
See transmitter <sup>1)</sup>	II 2G Ex db IIC T* Gb <sup>2)</sup>	See transmitter <sup>1)</sup>	See transmitter <sup>1)</sup>

- 1) The parameters for certified equipment (field transmitter) must be taken from the relevant manual.
- 2) The maximum surface temperature ( $T_{\max}$ ) at the tip of the probe or thermowell =  $T_p$  (process temperature) + self-heating. Refer to manual for calculation method.

# 1. Ex marking

## Series T\*12-B-\*DG (flameproof and dustproof enclosure)

EN

Variant 1: empty enclosure				
Electrical data	Marking	Thermowell	Temperatures	
			Temperature class	Ambient <sup>1)</sup>
U <sub>max</sub> = 30 V	II 2G Ex db IIC T* <sup>2)3)</sup> Gb II 2D Ex tb IIIC T* <sup>3)</sup> Db	No	T1 ... T5	-40 ... +85 °C [-40 ... +185 °F] -60 ... +85 °C [-76 ... +185 °F]
	II 1/2G Ex db IIC T* <sup>2)3)</sup> Ga/Gb II 2D Ex tb IIIC T* <sup>3)</sup> Db	Yes	T1 ... T5	-40 ... +85 °C [-40 ... +185 °F] -60 ... +85 °C [-76 ... +185 °F]
	II 2G Ex db IIC T6 <sup>3)</sup> Gb II 2D Ex tb IIIC T* <sup>3)</sup> Db	No	T6	-40 ... +80 °C [-40 ... +176 °F] -60 ... +80 °C [-76 ... +176 °F]
	II 1/2G Ex db IIC T6 Ga/Gb II 2D Ex tb IIIC T* <sup>3)</sup> Db	Yes	T6	-40 ... +80 °C [-40 ... +176 °F] -60 ... +80 °C [-76 ... +176 °F]

- 1) The low ambient temperature of -40 °C [-40 °F] applies to models with Rosemount or Limatherm enclosures. The low ambient temperature of either -40 °C [-40 °F] or -60 °C [-76 °F] applies to models with WIKA enclosures series 1/4000, 5/6000, 7/8000. For an explanation of symbols for the low temperature range, see page 14
- 2) The temperature class depends on the ambient temperature.
- 3) The maximum surface temperature (T<sub>max</sub>) at the tip of the probe or thermowell = T<sub>p</sub> (process temperature) + self-heating. Refer to manual for calculation method.

# 1. Ex marking

## Variant 2: empty enclosure + electronics

Electrical data	Marking	Thermowell	Temperatures	
			Temperature class	Ambient <sup>1)</sup>
$U_{max} = 30\text{ V}$ $P_{max} = 2\text{ W}$	II 2G Ex db IIC T* <sup>2)3)</sup> Gb II 2D Ex tb IIIC T* <sup>3)</sup> Db	No	T1 ... T4	-40 ... +85 °C [-40 ... +185 °F] -60 ... +85 °C [-76 ... +185 °F]
	II 1/2G Ex db IIC T* <sup>2)</sup> Ga/Gb II 2D Ex tb IIIC T* <sup>3)</sup> Db	Yes	T1 ... T4	-40 ... +85 °C [-40 ... +185 °F] -60 ... +85 °C [-76 ... +185 °F]
	II 2G Ex db IIC T5 <sup>3)</sup> Gb II 2D Ex tb IIIC T* <sup>3)</sup> Db	No	T5	-40 ... +70 °C [-40 ... +158 °F] -60 ... +70 °C [-76 ... +158 °F]
	II 1/2G Ex db IIC T5 Ga/Gb II 2D Ex tb IIIC T* <sup>3)</sup> Db	Yes	T5	-40 ... +70 °C [-40 ... +158 °F] -60 ... +70 °C [-76 ... +158 °F]
	II 2G Ex db IIC T6 <sup>3)</sup> Gb II 2D Ex tb IIIC T* <sup>3)</sup> Db	No	T6	-40 ... +55 °C [-40 ... +131 °F] -60 ... +55 °C [-76 ... +131 °F]
	II 1/2G Ex db IIC T6 <sup>3)</sup> Ga/Gb II 2D Ex tb IIIC T* <sup>3)</sup> Db	yes	T6	-40 ... +55 °C [-40 ... +131 °F] -60 ... +55 °C [-76 ... +131 °F]

- 1) The low ambient temperature of -40 °C [-40 °F] applies to models with Rosemount or Limatherm enclosures. The low ambient temperature of either -40 °C [-40 °F] or -60 °C [-76 °F] applies to models with WIKA enclosures series 1/4000, 5/6000, 7/8000. For an explanation of symbols for the low temperature range, see page 14.
- 2) The temperature class depends on the ambient temperature.
- 3) The maximum surface temperature ( $T_{max}$ ) at the tip of the probe or thermowell =  $T_p$  (process temperature) + self-heating. Refer to manual for calculation method.

## Variant 3: certified equipment (field transmitter)

Electrical data	Marking	Temperatures	
		Temperature class	Ambient
See transmitter <sup>1)</sup>	II 2G Ex db IIC T* <sup>2)3)</sup> Gb II 2D Ex tb IIIC T* <sup>3)</sup> Db	See transmitter <sup>1)</sup>	See transmitter <sup>1)</sup>

- 1) The parameters for certified equipment (field transmitter) must be taken from the relevant manual.
- 2) The temperature class depends on the ambient temperature.
- 3) The maximum surface temperature ( $T_{max}$ ) at the tip of the probe or thermowell =  $T_p$  (process temperature) + self-heating. Refer to manual for calculation method.



# 1. Ex marking / 2. Safety

When there is a built-in transmitter and/or a digital indicator, the special conditions from the type examination certificate, see chapter 4 "Special conditions of use (X conditions)" apply.

EN

## 2. Safety

### 2.1 Explanation of symbols



#### **DANGER!**

... indicates a potentially dangerous situation in the hazardous area that can result in serious injury or death, if not avoided.

### 2.2 Intended use

Thermometers of this series are suitable for temperature measurement in zone 1 hazardous areas. If the thermometer is installed in a thermowell, it is suitable for zone 21, for zone separation between zones 20 and 21 or zone separation between zones 0 and 1. Possible sensor measuring ranges: -196 ... +1,200 °C [-321 ... +2,192 °F]. The selection of the suitable thermowell material, dependent on the medium to be measured, must be ensured by the operator. The replaceable, centrally spring-loaded measuring insert and its extended spring travel enable combination with the widest range of connection head designs.

### **Technical description models series T\*12-B-\*DB or T\*12-B-\*DC (flameproof enclosure)**

The electrical thermometers TR12-B-\*DB, TR12-B-\*DC (resistance thermometers) respectively TC12-B-\*DB, TC12-B-\*DC (thermocouple) are made of a module TR12-M-\*D\* or TC12-M-\*D\* which is fitted to an Ex d certified enclosure. The module consists of a spring-loaded measuring insert TR12-A-\*\*\* or TC12-A-\*\*\* installed in a flameproof neck tube. The measuring insert in combination with the neck tube works as a flameproof joint. The measuring insert of the standard variants is exchangeable and suitable to fit in a thermowell.

Variants according to drawing 14207105 are designed to install directly into the process. The measuring insert of those variants is not exchangeable.

The probe part of the measuring insert is made of a welded tube or mineral-insulated cable. The temperature sensor is embedded in ceramic powder, a temperature-resistant potting compound, a cement compound or thermal compound.

If the temperature sensor is designed as grounded thermocouple, the wires of the thermocouple are in direct contact with the sheath. Models with diameters smaller than 3 mm [0.12 in] as well as grounded thermocouples shall be considered as galvanically connected to the ground potential.

## 2. Safety

The connection side of the measuring insert consists of a welded sleeve (transition) including the attached connection wires.

The thermometers model TR12-M-\*DB, TR12-M-\*DC, TC12-M-\*DB or TC12-M-\*DC will be fitted to an Ex d and Ex t certified enclosure in accordance with IECEx TUN 18.0010U or TÜV 18 ATEX 211394 U manufactured by WIKA series 1/4000, 7/8000 or 5/6000. The enclosure and covers are made of stainless steel or aluminium. The cover could be optionally provided with a glass lens (window).

Alternatively, the thermometers can be fitted to other certified cases or assemblies, so long as they are listed in the “WIKA ATEX and IECEx Ex d and Ex t case and instrument list” article no.: 14011281.08 ,see „Annex 2: WIKA ATEX and IECEx case and instrument list“.

3 different variants of process thermometers model T\*12-B-\*DB or T\*12-B-\*DC are available:

- Variant 1: The thermometer (module) model TR12-M-\*D\* or TC12-M-\*D\* is fitted to a certified empty enclosure in the ignition protection type “flameproof enclosure”. Terminals are mounted inside the case.
- Variant 2: The thermometer (module) model TR12-M-\*D\* or TC12-M-\*D\* is fitted to a certified empty enclosure in the ignition protection type “flameproof enclosure”. Electronic equipment is mounted inside the case.
- Variant 3: The thermometer (module) model TR12-M-\*D\* or TC12-M-\*D\* is fitted to a certified equipment (field transmitter) in the ignition protection type “flameproof enclosure”.

The modules TR12-M-\*DB, TR12-M-\*DC, TC12-M-\*DB or TC12-M-\*DC are designed to fit to an Ex d certified enclosure by the end user. The module is marked without a temperature class, either II 2G Ex db IIC Gb or II 1/2G Ex db IIC Ga/Gb. All conditions and limitations as described for variants 1 to 3 apply to this combined equipment. The responsibility rests with the operator.

### Technical description models series T\*12-B-\*DG (flameproof and dustproof enclosure)

The electrical thermometers, TR12-B-\*DG (resistance thermometer) and TC12-B-\*DG (thermocouple) respectively, are made from a TR12-M-\*D\* or TC12-M-\*D\* module which is fitted to an Ex d and Ex t certified enclosure. The module consists of a spring-loaded measuring insert TR12-A-\*\*\* or TC12-A-\*\*\* installed in a flameproof neck tube. The measuring insert in combination with the neck tube works as a flameproof joint. The measuring insert of the standard variants is exchangeable and suitable to fit in a thermowell.

Special variants for direct installation in the process, without an exchangeable measuring insert, are available on request.

The probe part of the measuring insert is made of a welded tube or a mineral-insulated cable. The temperature sensor is embedded in ceramic powder, a temperature-resistant potting compound, a cement compound or thermal compound.

If the temperature sensor is designed as grounded thermocouple, the wires of the thermocouple are in direct contact with the sheath. Models with diameters smaller than 3 mm [0.12 in] as well as grounded thermocouples shall be considered as galvanically connected to the ground potential.

The connection side of the measuring insert consists of a welded sleeve (transition) including the attached connection wires.

The thermometers model TR12-M-\*DG or TC12-M-\*DG will be fitted to an Ex d and Ex t certified enclosure in accordance with IECEx TUN 18.0010U or TÜV 18 ATEX 211394 U manufactured by WIKA series 1/4000, 7/8000 or 5/6000. The enclosure and covers are made of stainless steel or aluminium. The cover could be optionally provided with a glass lens (window).

Alternatively the thermometers will be fitted to other certified enclosures or assemblies as listed in the “WIKA ATEX and IECEx Ex d and Ex t case and instrument list” article no.: 14011281.08 (refer to manufacturer’s documents for details).

3 different variants of process thermometers model T\*12-B-\*DG are available:

- Variant 1: The thermometer (module) model TR12-M-\*D\* or TC12-M-\*D\* is fitted to a certified empty enclosure in the ignition protection type “flameproof enclosure” and “dust ignition protection”. Terminals are mounted inside the case.
- Variant 2: The thermometer (module) model TR12-M-\*D\* or TC12-M-\*D\* is fitted to a certified empty enclosure in the ignition protection type “flameproof enclosure” and “dust ignition protection”. Electronic equipment is mounted inside the case.
- Variant 3: The thermometer (module) model TR12-M-\*D\* or TC12-M-\*D\* is fitted to a certified equipment (field transmitter) in the ignition protection type “flameproof enclosure” and “dust ignition protection”.

## 2. Safety

The modules TR12-M-\*DG or TC12-M-\*DG are designed to fit to an Ex d and Ex t certified enclosure by the end user. The module is marked without temperature class, II 2G Ex db IIC and II 2D Ex tb IIIC or 1/2G Ex db IIC Ga/ Gb and II 2D Ex tb IIIC Db. All conditions and limitations described for the variants 1 to 3 also apply to this combined equipment. The responsibility rests with the operator.

EN

### 2.3 Responsibility of the operator

The responsibility for classification of zones lies with the plant manager and not the manufacturer/supplier of the equipment.

### 2.4 Personnel qualification

The skilled electrical personnel must have knowledge of ignition protection types, regulations and provisions for equipment in hazardous areas.

## 2. Safety

### 2.5 Labelling, safety marks



#### **DANGER!**

#### **Danger to life caused by electric current**

Upon contact with live parts, there is a direct danger to life.

- ▶ Do not open the instrument while under voltage.



#### **CAUTION!**

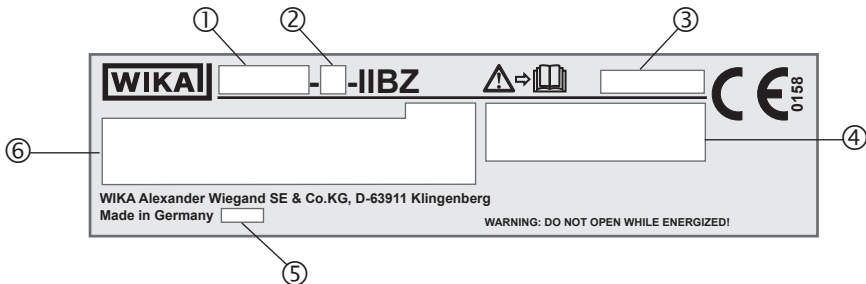
#### **Damage to property due to electrostatic discharge (ESD)**




When working on open electric circuits (PCBs) there is a risk of damaging sensitive electronic components through electrostatic discharge.

- ▶ The correct use of grounded working surfaces and personal armbands is required.

EN

### Product label (example)



- ① Model
- ② A = Measuring insert  
B = Process thermometer  
M = Basic module
- ③ Serial number
- ④ Approval-related data
- ⑤ Year of manufacture
- ⑥ ■ Information on version (measuring element, measuring range...)
  - Sensor in accordance with standard (resistance thermometer)
    - F = Thin-film measuring resistor
    - W = Wire-wound measuring resistor
  - Sensor in accordance with standard (thermocouple)
    - Ungrounded  = Ungrounded welded
    - Grounded  = Welded to the sheath (grounded)  
= The thermometer is, due to its low insulation clearances between resistance sensor and sheath, to be considered as grounded.
    - Quasi grounded 
- Transmitter model (only for design with transmitter)

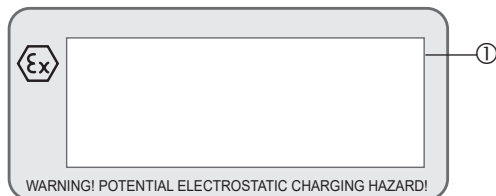
## 2. Safety



Before mounting and commissioning the instrument, ensure you read the operating instructions!

EN

### Additional product label



① Approval-related data



ATEX/IECEX: Minimum permissible ambient temperature  $-60\text{ °C}$  [ $-76\text{ °F}$ ]  
In this case, the usability of the instrument is indicated by a snowflake symbol.

For application in areas with high or repeated charging processes, special protective measures must be taken.

### 3. Commissioning, operation



#### **DANGER!**

##### **Danger to life from explosion**

Through working in flammable atmospheres, there is a risk of explosion which can cause death.

- ▶ Only carry out set-up work in non-hazardous environments!
- ▶ Do not open the instrument while under voltage.



#### **DANGER!**

##### **Danger to life from explosion**

By using a measuring insert without a suitable connection head (case), an explosion risk occurs which can cause fatalities.

- ▶ Only use the measuring insert in the connection head designed for it.



#### **DANGER!**

##### **Danger to life from explosion**

Non-observance of the permissible thread gaps and the corresponding tightening torques can lead to the loss of explosion protection.

- ▶ Ensure the number of threads engaged in accordance with chapter 3.6 „Thread gap“ and the corresponding chapter of the TR12/TC12 operating instructions with article number 14064370.

Observe the special conditions, see chapter 4 „Special conditions of use (X conditions)“.

#### **3.1 Mechanical mounting**

With preassembled connection heads, the direct threaded connection of the thermometer to the connection head or case must not be twisted or opened. Any alignment of the case may only be made using the optional “nipple-union-nipple” neck tube.

Certified and listed field cases (variant 3) should only be fitted and installed by a skilled person trained to the latest technological standards.

#### **Removal and installation of the measuring insert**

Before opening the instrument, isolate it from any voltage and loosen the locking screw of the cover (see chapter 5.2). During the replacement of the measuring insert, the surfaces of the flameproof joint must not be damaged. Scratches, grooves, dents, bumps etc. are not permissible. The joint lengths and the joint widths of the flameproof joint must not be changed.

For a detailed description of removal and installation, see the TR12/TC12 operating instructions with article number 14064370.

## 3. Commissioning, operation

### 3.2 Locking screw

EN



Always tighten the locking screw to prevent unintended opening of the head with flameproof enclosure.

Before opening the head, always loosen the locking screw sufficiently.

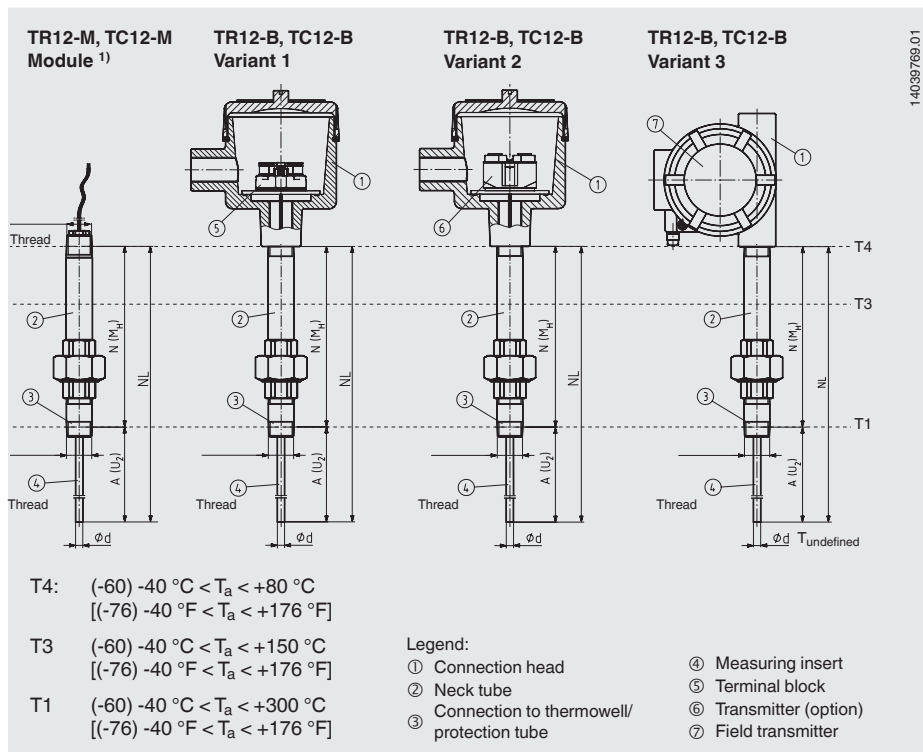
### 3.3 Electrical mounting

- For the installation of the thermometer, only components (e.g. cables, cable glands, etc.) permitted for “flameproof enclosure” and if applicable “protection by enclosure” may be used.
- Use of a transmitter/digital indicator (option):  
Observe the contents of these operating instructions and those of the transmitter/digital display, see scope of delivery. Observe the relevant regulations for installation and use of electrical systems, and also the regulations and guidelines for explosion protection.
- The temperature resistance of the connection leads, the connection heads, the cable entries and if necessary the blanking elements shall be at least as high as the maximum permissible ambient temperature and shall be at least as low as the permissible ambient temperature.
- Do not fit any batteries into the case.
- Mounting in metal vessel:  
The case must be grounded against electromagnetic fields and electrostatic charging. It must not be connected separately to the equipotential bonding system. It is sufficient if the metal thermowell has a solid and secured contact with the metal vessel or its structural components or pipelines, so long as these components are connected to the equipotential bonding system.
- Fitting in non-metal vessels:  
All electrically conductive thermometer components within the hazardous area must be provided with equipotential bonding.



## 3. Commissioning, operation

### 3.4 Safety-related instructions for the different variants



1) Operation without a suitable case is not permitted.

#### 3.4.1 Variant 1

The thermometer (module) model TR12-M or TC12-M is fitted to a certified empty enclosure in the ignition protection type “flameproof enclosure” and optionally with “dust ignition protection”. Terminals are mounted inside the case.

The position of the identification label for the complete assembly TR12-B or TC12-B is on the enclosure respectively connection head. The module is labeled as part of TR12-B or TC12-B and with a serial number on the neck tube.

#### Variant 1, use in zone 1 or 21

If the TR12-B or TC12-B thermometer is marked with II 2G Ex db IIC T1 ... T6 Gb, then it is designed for use in zone 1.

If the TR12-B or TC12-B thermometer is marked with II 2G Ex db IIC T1 ... T6 Gb and II 2D Ex tb IIIC T\* Db then it is designed for use in zone 1 or zone 21.

## 3. Commissioning, operation

### Variant 1, use at the partition to zone 0

If the thermometer TR12-B or TC12-B is marked with II 1/2G Ex db IIC T1 ... T6 Ga/Gb, then it is designed for use with a thermowell at the partition to zone 0. The flameproof enclosure or connection head is located either in zone 1 or zone 2. The sensor is within a thermowell which protrudes into zone 0 via a process connection.

The thermometer should therefore be operated with a power limitation circuit.

$P_{\max}$ : 2 W

$U_{\max}$ : 30 V

A power supply unit with a suitable limitation or a fuse has to be installed in the supply circuit as an energy-limiting method.

A power supply unit with Ex ia circuitry fulfils these conditions, but is not required if the limits can be achieved through other measures. The responsibility rests with the operator.

A heating in the connection head does not occur with variant 1. However, an impermissible heat backflow from the process which can exceed the operating temperature of the case or the temperature class, must be prevented through suitable heat insulation or a suitably long neck tube.

### 3.4.2 Variant 2

The thermometer (module) TR12-M or TC12-M is fitted to a certified empty enclosure in the ignition protection type "flameproof enclosure" and optionally with "dust ignition protection". Electronic equipment is mounted inside the case.

The position of the identification label for the complete assembly TR12-B or TC12-B is on the enclosure respectively connection head. The module is labeled as part of TR12-B or TC12-B and with a serial number on the neck tube.

### Variant 2, use in zone 1 or 21

If the TR12-B or TC12-B thermometer is marked with II 2G Ex db IIC T1 ... T6 Gb, then it is designed for use in zone 1.

If the TR12-B or TC12-B thermometer is marked with II 2G Ex db IIC T1 ... T6 Gb and II 2D Ex tb IIIC T\* Db, then it is designed for use in zone 1 or zone 21.

### Variant 2, use at the partition to zone 0

If the thermometer TR12-B or TC12-B is marked with II 1/2G Ex db IIC T1 ... T6 Ga/Gb, then it is designed for use with a thermowell at the partition to zone 0.

The flameproof enclosure or connection head is located either in zone 1 or zone 2. The sensor is within a thermowell which protrudes into zone 0 via a process connection.

The thermometer should therefore be operated with a power limitation circuit.

$P_{\max}$ : 2 W

$U_{\max}$ : 30 V

A power supply unit with a suitable limitation or a fuse has to be installed in the supply circuit as an energy-limiting method.

### 3. Commissioning, operation

EN

A power supply unit with Ex ia circuitry fulfils these conditions, but is not required if the limits can be achieved through other measures. The responsibility rests with the operator. WIKA recommends realizing the power limitation through a suitable fuse in the 4 ... 20 mA circuit of the head-mounted transmitter. In the event of a failure of the head-mounted transmitter, the circuit will be interrupted through the fuse tripping.

#### **Variant 2, example for calculating the fuse for a maximum power at the sensor of 0.8 W:**

The internal resistance of thermocouples is significantly lower than the thermal resistance of a Pt100 sensor, so the much less favourable case for a resistance thermometer has been calculated.

$$P_{\max} = (1.7 \times I_s)^2 \times R_w$$

$I_s$  = Fuse rating

$P_{\max}$  = maximum power at sensor = 0.8 W

$R_w$  = Resistance of the sensor (temperature-dependent)

at 450 °C = 264.18 Ω in accordance with DIN EN 60751 for Pt100

This results in the following fuse rating:

$$I_s = \sqrt{P_{\max} / R_w} / 1.7$$

$$I_s = \sqrt{0.8 \text{ W} / 265 \text{ } \Omega} / 1.7$$

$$I_s = 32.32 \text{ mA}$$

This results in a rated current for a fuse link = 32 mA

Notes for fuse calculation:

The next smallest fuse value, in accordance with IEC 60127, must always be chosen. The breaking capacity must be matched, by sensible engineering, to the voltage supply. Usual values for such fuse links lie between AC 20 A and AC 80 A rated breaking capacity.

#### **Variant 2, example for calculating the fuse for a maximum power at the sensor of 0.5 W:**

For a maximum power at the sensor of 0.5 W the following value is given:

$$I_s = \sqrt{0.5 \text{ W} / 265 \text{ } \Omega} / 1.7$$

$$I_s = 25.55 \text{ mA}$$

This results in a rated current for a fuse link = 25 mA

When using multiple sensors and simultaneous operation, the sum of the individual powers must not exceed the value of the maximum permissible power.

Internal resistance of Ø 6 mm [0.24 in] TC measuring inserts: approx. 1.2 Ω/m

Internal resistance of Ø 3 mm [0.12 in] TC measuring inserts: approx. 5.6 Ω/m

These measured values are valid for room temperature.

## 3. Commissioning, operation

### **Variant 2, temperature increase on the surface of the connection head**

For all WIKA connection heads with built-in WIKA temperature transmitters, the following interrelation is valid:

The temperature increase on the surface of the connection head or case is less than 25 K if the following conditions are observed: voltage supply  $U_B$  maximum DC 30 V when the transmitter is operated in a current limitation of 22.5 mA.

A heating in the connection head can occur with variant 2 through faulty electronics. The permissible ambient temperatures depend on the case used and any additionally fitted head-mounted transmitter.

However, an impermissible heat backflow from the process which can exceed the operating temperature of the transmitter or the case, must be prevented through suitable heat insulation or a suitably long neck tube.

### **3.4.3 Variant 3**

The thermometer (module) TR12-M or TC12-M is fitted to a certified equipment (field transmitter) in the ignition protection type "flameproof enclosure" and optionally with "dust ignition protection".

The position of the identification label for the complete assembly TR12-B or TC12-B is on the neck tube. The original marking of the field transmitter remains unchanged.

### **Variant 3, use in zone 1 or 21**

If the TR12-B or TC12-B thermometer is marked with II 2G Ex db IIC T\* Gb, then it is designed for use in zone 1.

If the TR12-B or TC12-B thermometer is marked with II 2G Ex db IIC T\* Gb and II 2D Ex tb IIIC T\* Db, then it is designed for use in zone 1 or zone 21.

### **Variant 3, use at the partition to zone 0**

For any potential usage at the partition to zone 0 with a thermowell, the approvals and conditions of the relevant transmitters must be considered. Only field transmitters listed by name in the Annex ("WIKA ATEX and IECEx Ex d and Ex t case and instrument list" article no.: 14011281.08) of the Ex d and Ex t certificate may be used.

### **3.4.4 Modules TR12-M or TC12-M**

The module (respectively thermometer) TR12-M or TC12-M consists of a spring-loaded measuring insert TR12-A or TC12-A installed in a flameproof neck tube. The measuring insert in combination with the neck tube works as a flameproof joint. The measuring insert of the standard variants is exchangeable and suitable to fit in a thermowell.

The modules are designed to fit to an Ex d and optionally Ex t certified enclosure by the end user.

## 3. Commissioning, operation

Only field transmitters or cases listed by name in the Annex (“WIKA ATEX and IECEx Ex d and Ex t case and instrument list” article no.: 14011281.08) of the Ex d and Ex t certificate may be used.

All conditions and limitations described for the variants 1 to 3 also apply to this combined equipment. The responsibility rests with the operator.

An operation without certified enclosure or connection head is not permitted.

The module is marked without temperature class on the neck tube.

If the module TR12-M or TC12-M is marked with II 2G Ex db IIC Gb, then it is designed for use in zone 1.

If the module TR12-M or TC12-M is marked with II 2G Ex db IIC and II 2D Ex tb IIIC Db, then it is designed for use in zone 1 or zone 21.

If the module TR12-M or TC12-M is marked with II 1/2G Ex db IIC Ga/Gb, then it is designed for use with a thermowell at the partition to zone 0.

### 3.4.5 Measuring inserts TR12-A or TC12-A

The spring-loaded measuring insert TR12-A or TC12-A is designed to install in a flameproof neck tube. The measuring insert in combination with the neck tube works as a flameproof joint. It is a spare part only and is marked by a cable marker with a serial number.

### 3.4.6 Component testing

The component testing, as specified in 16.1.2 of IEC 60079-1:2014, may be omitted since the overpressure test in accordance with 15.2.3.2 of the mentioned standard was carried out successfully with a pressure of 150 bar [2,175 psi] (4-times a reference pressure of 37.5 bar [543 psi]). The mechanical stability is ensured by quality control.

### 3.4.7 Use in methane atmospheres

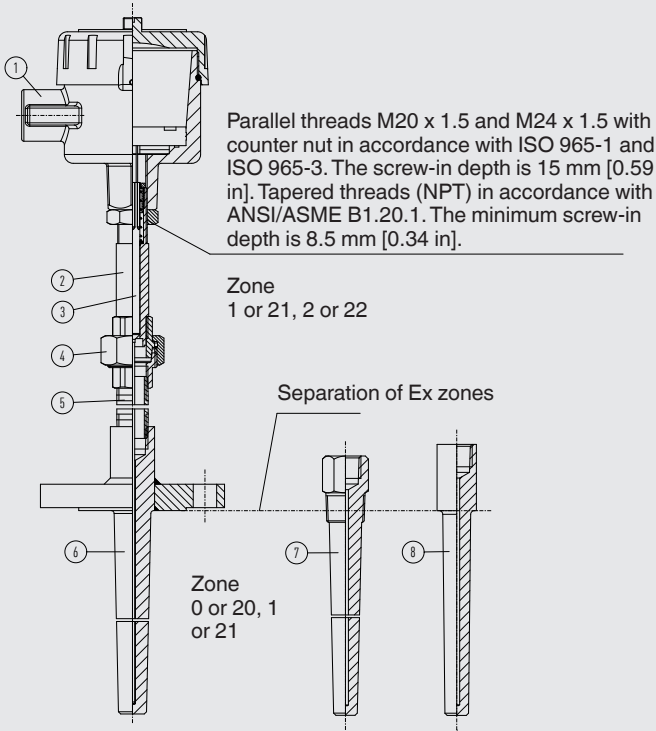
As a result of the higher Minimum Experimental Safe Gap (MESG) and Minimum Ignition Current (MIC) of methane, the instruments can also be used in hazardous gas atmospheres caused by this.

### 3.4.8 Requirements to the thermowell respectively to the partition wall

The thermowell shall be made of corrosion-resistant steel with a minimum wall thickness of 1 mm [0.04 in] or other type of metal with a minimum wall thickness of 3 mm [0.12 in]. All metals with pressure containment of at least 70 MPa or 700 bar [10,153 psi] are acceptable. The equipment shall be designed to allow installation in a manner that will result in a sufficiently tight joint (IP66 or IP67 per EN/IEC 60529) or a flameproof joint per EN/IEC 60079-1 (joints specified for a volume  $\leq 100 \text{ cm}^3$ ) between one hazardous area to the other.

# 3. Commissioning, operation

## 3.5 Overview of the temperature zones



14537027.02

- ① Connection head
- ② Neck tube
- ③ Measuring insert
- ④ Separable threaded connection (example)
- ⑤ Pipe nipple (example)
- ⑥ Thermowell with flange (example)
- ⑦ Thermowell with mounting thread (example)
- ⑧ Weld-in thermowell (example)

### Requirements for the thermowell:

The thermowell must be made of corrosion-resistant steel with a minimum wall thickness of 1 mm [0.04 in] or other type of metal with a minimum wall thickness of 3 mm [0.12 in]. All metals with a yield point of at least 70 MPa or 689.46 bar [10,000 psi] are permissible.

14280101.02 08/2023 EN/DE/FR/ES

## 3. Commissioning, operation

### 3.6 Thread gap

For fitting, the following permitted thread gaps for electrical equipment for gas hazardous areas must be maintained:

- Thread gap for parallel threads (IEC/EN 60079-1, table 4):
  - Case volume  $< 100 \text{ cm}^3$ :  $\geq 5 \text{ mm}$  [0.20 in]
  - Case volume  $> 100 \text{ cm}^3$ :  $\geq 8 \text{ mm}$  [0.32 in]
  - There must be at least 5 threads engaged
  
- Thread gap for tapered threads (IEC/EN 60079-1, table 5):
  - On each component  $\geq 5$
  - There must be at least 4.5 threads engaged

EN

## 4. Special conditions of use (X conditions)

### 4. Special conditions of use (X conditions)

- 1) The certified model T\*12-\* thermometers may only be attached to certified cases that are listed in the Annex “WIKA ATEX Ex d cases and instruments list”, article no.: 14011281.08.
- 2) When using the thermometer in zone 0, an additional thermowell must separate the thermometer from the medium to be measured. The thermowell must be made of corrosion-resistant steel with a minimum wall thickness of 1 mm or another metal with a minimum wall thickness of 3 mm. Any metal with a yield strength of 70 MPa or 10,000 PSI or greater is acceptable. The thermometer must be operated with a power limitation circuit. As an energy limitation measure, a power supply unit with suitable limitation or a fuse must be installed in the supply circuit. The dimensioning of the fuse depends on the temperature class, the process temperature and the supply voltage (example calculations in the operating instructions).
- 3) For zone 1 or zone 21 installations the calculations for the limiting temperature class or surface temperature, the process temperature and the voltage supply must also be made, but without the requirements for the limiting fuse. (see instruction).
- 4) A prohibited heat backflow from the process has to be prevented for instance by heat insulation or using an extended neck tube.  
A prohibited heat backflow occurs if the heat input from the process exceeds the operating temperature of the case or the temperature class.
- 5) The gap lengths of the flameproof joints of this equipment are sometimes longer and the gap widths of the flameproof joints are sometimes smaller than required in Table 3 of EN 60079-1:2014
- 6) The requirements / conditions or instructions for use listed in the certificates of each instrument (transmitter) and enclosure must be observed.
- 7) The thermometer may only be used in areas in which high or recurring charging processes are reliably prevented due to the local conditions or due to the protected installation for the product label.



### 5. Calculation examples for self-heating at the thermowell tip

The self-heating at the thermowell tip depends upon the sensor type (TC/RTD), the measuring insert diameter and the thermowell design. The table below shows the possible combinations. The heating at the probe tip of the bare measuring insert is clearly higher; the representation of these values was omitted on the grounds of the required assembly with a thermowell. The table shows that thermocouples generate much less self-heating than resistance thermometers.

#### 5.1 Example calculation for variant 2 with RTD sensor

- Use at the partition to zone 0, marking II 1/2G Ex db IIC T1 ... T6 Ga/Gb power-limited circuit, through fuse, with 32 mA.

Calculate the maximum possible temperature,  $T_{\max}$ , at the thermowell tip for the following combination:

- ▶ Ø 6 mm [0.24 in] RTD measuring insert with built-in, head-mounted transmitter, assembled with a solid-body thermowell.

$T_{\max}$  is obtained by adding the medium temperature and the self-heating. The self-heating depends on the supplied power  $P_o$  and the thermal resistance  $R_{th}$ . The calculated supplied power,  $P_o$ , comes from the chosen standard value for the fuse and is only realised at the probe tip.

The following formula is used for the calculation:  $T_{\max} = P_o * R_{th} + T_P$

$T_{\max}$  = Surface temperature (max. temperature at the thermowell tip)

$P_o$  = 0.8 W (fuse with 32 mA, a complete short-circuit of the transmitter is assumed)

$R_{th}$  = Thermal resistance [K/W]

$T_P$  = Process temperature

#### Example

Resistance thermometer RTD

Diameter: 6 mm [0.24 in]

Medium temperature:  $T_P = 150\text{ °C}$  [302 °F]

Supplied power:  $P_o = 0.8\text{ W}$

Temperature class T3 (200 °C [392 °F]) must not be exceeded

Thermal resistance [ $R_{th}$  in K/W] from table = 16 K/W

Self-heating:  $0.8\text{ W} * 16\text{ K/W} = 12.8\text{ K}$

$T_{\max} = T_P + \text{self-heating: } 150\text{ °C} + 12.8\text{ °C} = 162.8\text{ °C}$  [325 °F]

As a safety margin for type-examined instruments (for T6 to T3), an additional 5 °C [41 °F] must be subtracted from the 200 °C [392 °F]; hence 195 °C [383 °F] would be permissible. This means that in this case temperature class T3 is not exceeded.

## 5. Calculation examples for self-heating at the ...

### Additional information:

Temperature class for T3 = 200 °C [392 °F]

Safety margin for type-tested instruments (for T3 to T6) <sup>1)</sup> = 5 K

Safety margin for type-tested instruments (for T1 to T2) <sup>1)</sup> = 10 K

Safety margin for applications of equipment category 1 (zone 0) <sup>2)</sup> = 80 % finds no application here

1) EN 60079-0:2018 section 26.5.1.3

2) EN 1127-1: 2019 section 6.4.2

### 5.2 Example calculation for variant 2 with TC sensor

Under the same conditions it gives a lower value for the self-heating, since the supplied power is not only converted at the probe tip, but rather over the entire length of the measuring insert.

Thermal resistance [ $R_{th}$  in K/W] from table = 1 K/W

Self-heating:  $0.8 \text{ W} * 1 \text{ K/W} = 0.8 \text{ K}$

$T_{max} = T_P + \text{self-heating: } 150 \text{ °C} + 0.8 \text{ °C} = 150.8 \text{ °C} [303 \text{ °F}]$

As a safety margin for type-examined instruments (for T6 to T3), an additional 5 °C [41 °F] must be subtracted from the 200 °C [392 °F]; hence 195 °C [383 °F] would be permissible. This means that in this case temperature class T3 is not exceeded. In this example it is clear that the self-heating here is almost negligible.



## EU-Konformitätserklärung EU Declaration of Conformity

**Dokument Nr.:** 14031790.05  
**Document No.:**

Wir erklären in alleiniger Verantwortung, dass die mit CE gekennzeichneten Produkte  
We declare under our sole responsibility that the CE marked products

**Typenbezeichnung:** TR12-B-ZZZ, TR12-M-ZZZ, TR12-A-ZZZ;  
**Type Designation:** TC12-B- ZZZ, TC12-M-ZZZ, TC12-A-ZZZ;  
TR12-B-\*(1, 2, 4), TR12-M-\*(1, 2, 4), TR12-A-\*(1, 2, 4);  
TC12-B-\*(1, 2, 4), TC12-M-\*(1, 2, 4), TC12-A-\*(1, 2, 4);  
TR12-B-\*(1, 3), TR12-M-\*(1, 3), TC12-B-\*(1, 3), TC12-M-\*(1, 3);

**Beschreibung:** Prozessthermometer Typ TR12 und TC12 zum Einbau in ein Schutzrohr  
**Description:** Process thermometer model TR12 and TC12 for additional thermowell

gemäß gültigem Datenblatt: TE 60.16, TE 60.17, TE 65.16, TE 65.17  
according to the valid data sheet:

mit den nachfolgenden relevanten Harmonisierungsvorschriften der Union  
übereinstimmen:  
are in conformity with the following relevant Union harmonization  
legislation:

Angewandte harmonisierte Normen:  
Applied harmonised standards:

2011/65/EU	Gefährliche Stoffe (RoHS) Hazardous substances (RoHS)	EN IEC 63000:2018
2014/30/EU	Elektromagnetische Verträglichkeit (EMV) Electromagnetic Compatibility (EMC)	EN 61326-1:2013 <sup>(5)</sup> EN 61326-2-3:2013 <sup>(5)</sup>
2014/34/EU	Explosionsschutz (ATEX) <sup>(1, 2, 3, 4)</sup> Explosion protection (ATEX) <sup>(1, 2, 3, 4)</sup>	Refer to annex

- (1) Die folgenden Buchstaben für die Ex-Zertifizierung ersetzen den Platzhalter \*:  
A, B, C, D, E, F, G, H, I, J, K, L, M, O, P, Q, R, S, T, U, V, W, X, Y  
The following letters for the Ex certification replace the placeholder \*:  
A, B, C, D, E, F, G, H, I, J, K, L, M, O, P, Q, R, S, T, U, V, W, X, Y
- (2) EG-Baumusterprüfbescheinigung TÜV 10 ATEX 555793 X von TÜV NORD CERT GmbH (Reg.-Nr. 0044)  
EC type-examination certificate TÜV 10 ATEX 555793 X of TÜV NORD CERT GmbH (Reg. no. 0044)
- (3) EU-Baumusterprüfbescheinigung BVS 07 ATEX E 071 X von DEKRA Testing and Certification GmbH (Reg. Nr. 0158)  
EU type examination certificate BVS 07 ATEX E 071 X of DEKRA Testing and Certification GmbH (Reg. No. 0158)
- (4) Modul A, interne Fertigungskontrolle  
Module A, internal control of production
- (5) Gilt nur mit eingebautem WIKAI Transmitter. Werden Transmitter von anderen Herstellern verwendet, können diese anderen Normen entsprechen. Es sind dann die mitgelieferten Anleitungen dieser Transmitter zu beachten.  
Applies only to built-in WIKAI transmitter. When using transmitters of other manufacturers, other standards may apply.  
The instructions and EU Declarations of Conformity supplied with these transmitters must then be observed.

Unterschiedet für und im Namen von / Signed for and on behalf of

**WIKAI Alexander Wiegand SE & Co. KG**

Klingenberg, 2022-11-02

Stefan Heidinger, Vice President  
Electrical Temperature Measurement

WIKAI Alexander Wiegand SE & Co. KG  
Alexander-Wiegand-Strasse 30  
63911 Klingenberg  
Germany  
WEEE-Reg.-Nr. DE 92770372

Tel. +49 9372 132-0  
Fax +49 9372 132-406  
E-Mail info@wika.de  
www.wika.de

Kommanditgesellschaft, Sitz Klingenberg –  
Amtsgericht Aschaffenburg HRA 1919

Roland Stapf, Head of Quality Management  
Process Instrumentation Corporate Quality

Komplementärin:  
WIKAI International SE - Sitz Klingenberg -  
Amtsgericht Aschaffenburg HRB 10505  
Vorstand: Alexander Wiegand  
Vorsitzender des Aufsichtsrats: Prof. Dr. Roderich C. Thümmel  
19AR-03458

## Annex 2: WIKA ATEX and IECEx case and instrument list

The flameproof thermometers type Tx12-B, Tx12-M, Tx12-A<sup>1</sup> must be operated only mounted to the following certified flameproof enclosure/devices with a free volume of less or equal than 2 dm<sup>3</sup>.  
The enclosure/device has a protection class of IP65 as a minimum. Entries for flameproof enclosures: Internal metric threads with a tolerance class of 6H or better according to ISO 965-1 and ISO 965-3 or internal NPT threads in accordance with ANSI/ASME B1.20.1.

No.	Variants			Manufacturer	Model name	EC-Type Examination Certificate	IECEx Certificate of Conformity
1	1	2		WIKA	1/4000, 5/6000, 7/8000	TÜV 18 ATEX 211394 U	IECEx TUN 18.0010U
2			3	WIKA	DIH**-F, TIF**-F	BVS 10 ATEX E 158	IECEx BVS 10.0103
3			3	Yokogawa	YTA series	KEMA 07ATEX0130 X	IECEx KEM 07.0044X
4			3	Rosemount	644	DEKRA 19ATEX0076X	IECEx FMG 12.0022X
5			3	Rosemount	3144P	DEKRA 19ATEX0076X	IECEx FMG 12.0022X
6	1	2		Rosemount	Connection Head	Baseefa14ATEX0228U	IECEx BAS 14.0106U
7			3	ABB	TTF300	PTB 99 ATEX 1144	IECEx PTB 12.0039
8	1	2		Limatherm	XD-ID100 series	FTZU 04 ATEX 0332 U	IECEx FTZU 10.0019U
9	1	2		Limatherm	XD-A series	FTZU 03 ATEX 0074 U	IECEx FTZU 14.0003U
10	1	2		Limatherm	XD-S series	FTZU 14 ATEX 0004 U	IECEx FTZU 17.0008U

# Inhalt

<b>1. Ex-Kennzeichnung</b>	<b>30</b>
<b>2. Sicherheit</b>	<b>35</b>
<b>3. Inbetriebnahme, Betrieb</b>	<b>41</b>
<b>4. Besondere Bedingungen für die Verwendung (X-Conditions)</b>	<b>50</b>
<b>5. Berechnungsbeispiele für die Eigenerwärmung an der Schutz- rohrspitze</b>	<b>51</b>
<b>Anlage 1: EU-Konformitätserklärung</b>	<b>53</b>
<b>Anlage 2: WIKA ATEX und IECEx Gehäuse- und Geräteliste</b>	<b>54</b>

# 1. Ex-Kennzeichnung

## Ergänzende Dokumentation:

- ▶ Diese Zusatzinformation für explosionsgefährdete Bereiche gilt im Zusammenhang mit der Betriebsanleitung „Widerstandsthermometer TR12 und Thermoelement TC12“ (Artikelnummer 14064370).

# 1. Ex-Kennzeichnung



## **GEFAHR!**

### **Lebensgefahr durch Explosion**

Die Nichtbeachtung dieser Inhalte und Anweisungen kann zum Verlust des Explosionsschutzes führen.

- ▶ Sicherheitshinweise in diesem Kapitel sowie weitere Explosionshinweise in dieser Betriebsanleitung beachten.
- ▶ Die Anforderungen der ATEX-Richtlinie beachten.
- ▶ Die Angaben der geltenden Baumusterprüfbescheinigung sowie die jeweiligen Vorschriften zur Installation und Einsatz in explosionsgefährdeten Bereichen (z. B. EN IEC 60079-0, IEC 60079-1, IEC 60079-10 und IEC 60079-14) einhalten.

Überprüfen, ob die Klassifizierung für den Einsatzfall geeignet ist. Die jeweiligen nationalen Vorschriften und Bestimmungen beachten.

# 1. Ex-Kennzeichnung

## Baureihe T\*12-B-\*DB oder T\*12-B-\*DC (druckfeste Kapselung)

Variante 1 Leergehäuse				
Elektrische Daten	Kennzeichnung	Einteiliges Schutzrohr	Temperaturen	
			Temperaturklasse	Umgebung <sup>1)</sup>
U <sub>max</sub> = 30 V	II 2G Ex db IIC T* 2) 3) Gb	Nein	T1 ... T5	-40 ... +85 °C [-40 ... +185 °F] -60 ... +85 °C [-76 ... +185 °F]
	II 1/2G Ex db IIC T* 2) 3) Ga/Gb	Ja	T1 ... T5	-40 ... +85 °C [-40 ... +185 °F] -60 ... +85 °C [-76 ... +185 °F]
	II 2G Ex db IIC T6 <sup>3)</sup> Gb	Nein	T6	-40 ... +80 °C [-40 ... +176 °F] -60 ... +80 °C [-76 ... +176 °F]
	II 1/2G Ex db IIC T6 <sup>3)</sup> Ga/Gb	Ja	T6	-40 ... +80 °C [-40 ... +176 °F] -60 ... +80 °C [-76 ... +176 °F]

DE

- 1) Die niedrige Umgebungstemperatur von -40 °C [-40 °F] gilt für Typen mit Rosemount- oder Limatherm-Gehäusen. Die niedrige Umgebungstemperatur von entweder -40 °C [-40 °F] oder -60 °C [-76 °F] gilt für Typen mit WIKA-Gehäusen der Baureihen 1/4000, 5/6000, 7/8000. Symbolerklärung für den niedrigen Temperaturbereich, siehe Seite 40.
- 2) Die Temperaturklasse hängt von der Umgebungstemperatur ab.
- 3) Maximale Oberflächentemperatur (T<sub>max</sub>) an der Fühler- oder Schutzrohrspitze = T<sub>p</sub> (Prozesstemperatur) + Eigenwärkung. Die Berechnungsmethode ist im Handbuch beschrieben.

# 1. Ex-Kennzeichnung

## Variante 2 Leergehäuse + Elektronik

Elekt- rische Daten	Kennzeichnung	Einteiliges Schutzrohr	Temperaturen	
			Temperatur- klasse	Umgebung <sup>1)</sup>
U <sub>max</sub> = 30 V P <sub>max</sub> = 2 W	II 2G Ex db IIC T* <sup>2)3)</sup> Gb	Nein	T1 ... T4	-40 ... +85 °C [-40 ... +185 °F] -60 ... +85 °C [-76 ... +185 °F]
	II 1/2G Ex db IIC T* <sup>2)3)</sup> Ga/ Gb	Ja	T1 ... T4	-40 ... +85 °C [-40 ... +185 °F] -60 ... +85 °C [-76 ... +185 °F]
	II 2G Ex db IIC T5 <sup>3)</sup> Gb	Nein	T5	-40 ... +70 °C [-40 ... +158 °F] -60 ... +70 °C [-76 ... +158 °F]
	II 1/2G Ex db IIC T5 <sup>3)</sup> Ga/Gb	Ja	T5	-40 ... +70 °C [-40 ... +158 °F] -60 ... +70 °C [-76 ... +158 °F]
	II 2G Ex db IIC T6 <sup>3)</sup> Gb	Nein	T6	-40 ... +55 °C [-40 ... +131 °F] -60 ... +55 °C [-76 ... +131 °F]
	II 1/2G Ex db IIC T6 <sup>3)</sup> Ga/Gb	ja	T6	-40 ... +55 °C [-40 ... +131 °F] -60 ... +55 °C [-76 ... +131 °F]

- 1) Die niedrige Umgebungstemperatur von -40 °C [-40 °F] gilt für Typen mit Rosemount- oder Limatherm-Gehäusen. Die niedrige Umgebungstemperatur von entweder -40 °C [-40 °F] oder -60 °C [-76 °F] gilt für Typen mit WIKA-Gehäusen der Baureihen 1/4000, 5/6000, 7/8000. Symbolerklärung für den niedrigen Temperaturbereich, siehe Seite 40.
- 2) Die Temperaturklasse hängt von der Umgebungstemperatur ab.
- 3) Maximale Oberflächentemperatur (T<sub>max</sub>) an der Fühler- oder Schutzrohrspitze = T<sub>p</sub> (Prozesstemperatur) + Eigenerwärmung. Die Berechnungsmethode ist im Handbuch beschrieben.

## Variante 3 zertifiziertes Betriebsmittel (Feldtransmitter)

Elekt- rische Daten	Kennzeichnung	Temperaturen	
		Temperaturklasse	Umgebung
Siehe Transmit- ter <sup>1)</sup>	II 2G Ex db IIC T* Gb <sup>2)</sup>	Siehe Transmitter <sup>1)</sup>	Siehe Transmitter <sup>1)</sup>

- 1) Die Parameter für zertifizierte Betriebsmittel (Feldtransmitter) sind aus dem zugehörigen Handbuch zu entnehmen.
- 2) Maximale Oberflächentemperatur (T<sub>max</sub>) an der Fühler- oder Schutzrohrspitze = T<sub>p</sub> (Prozesstemperatur) + Eigenerwärmung. Die Berechnungsmethode ist im Handbuch beschrieben.



# 1. Ex-Kennzeichnung

## Baureihe T\*12-B-\*DG (druckfeste oder staubdichte Kapselung)

Variante 1 Leergehäuse				
Elektrische Daten	Kennzeichnung	Einteiliges Schutzrohr	Temperaturen	
			Temperaturklasse	Umgebung <sup>1)</sup>
U <sub>max</sub> = 30 V	II 2G Ex db IIC T* <sup>2)3)</sup> Gb II 2D Ex tb IIIC T* <sup>3)</sup> Db	Nein	T1 ... T5	-40 ... +85 °C [-40 ... +185 °F] -60 ... +85 °C [-76 ... +185 °F]
	II 1/2G Ex db IIC T* <sup>2)3)</sup> Ga/ Gb II 2D Ex tb IIIC T* <sup>3)</sup> Db	Ja	T1 ... T5	-40 ... +85 °C [-40 ... +185 °F] -60 ... +85 °C [-76 ... +185 °F]
	II 2G Ex db IIC T6 <sup>3)</sup> Gb II 2D Ex tb IIIC T* <sup>3)</sup> Db	Nein	T6	-40 ... +80 °C [-40 ... +176 °F] -60 ... +80 °C [-76 ... +176 °F]
	II 1/2G Ex db IIC T6 Ga/Gb II 2D Ex tb IIIC T* <sup>3)</sup> Db	Ja	T6	-40 ... +80 °C [-40 ... +176 °F] -60 ... +80 °C [-76 ... +176 °F]

DE

- Die niedrige Umgebungstemperatur von -40 °C [-40 °F] gilt für Typen mit Rosemount- oder Limatherm-Gehäusen. Die niedrige Umgebungstemperatur von entweder -40 °C [-40 °F] oder -60 °C [-76 °F] gilt für Typen mit WIKA-Gehäusen der Baureihen 1/4000, 5/6000, 7/8000. Symbolerklärung für den niedrigen Temperaturbereich, siehe Seite 40.
- Die Temperaturklasse hängt von der Umgebungstemperatur ab.
- Maximale Oberflächentemperatur (T<sub>max</sub>) an der Fühler- oder Schutzrohrspitze = T<sub>p</sub> (Prozesstemperatur) + Eigenerwärmung. Die Berechnungsmethode ist im Handbuch beschrieben.

# 1. Ex-Kennzeichnung

## Variante 2 Leergehäuse + Elektronik

Elekt- rische Daten	Kennzeichnung	Einteiliges Schutzrohr	Temperaturen	
			Temperatur- klasse	Umgebung <sup>1)</sup>
$U_{\max} = 30\text{ V}$ $P_{\max} = 2\text{ W}$	II 2G Ex db IIC T* <sup>2)3)</sup> Gb II 2D Ex tb IIIC T* <sup>3)</sup> Db	Nein	T1 ... T4	-40 ... +85 °C [-40 ... +185 °F] -60 ... +85 °C [-76 ... +185 °F]
	II 1/2G Ex db IIC T* <sup>2)</sup> Ga/Gb II 2D Ex tb IIIC T* <sup>3)</sup> Db	Ja	T1 ... T4	-40 ... +85 °C [-40 ... +185 °F] -60 ... +85 °C [-76 ... +185 °F]
	II 2G Ex db IIC T5 <sup>3)</sup> Gb II 2D Ex tb IIIC T* <sup>3)</sup> Db	Nein	T5	-40 ... +70 °C [-40 ... +158 °F] -60 ... +70 °C [-76 ... +158 °F]
	II 1/2G Ex db IIC T5 Ga/Gb II 2D Ex tb IIIC T* <sup>3)</sup> Db	Ja	T5	-40 ... +70 °C [-40 ... +158 °F] -60 ... +70 °C [-76 ... +158 °F]
	II 2G Ex db IIC T6 <sup>3)</sup> Gb II 2D Ex tb IIIC T* <sup>3)</sup> Db	Nein	T6	-40 ... +55 °C [-40 ... +131 °F] -60 ... +55 °C [-76 ... +131 °F]
	II 1/2G Ex db IIC T6 <sup>3)</sup> Ga/Gb II 2D Ex tb IIIC T* <sup>3)</sup> Db	ja	T6	-40 ... +55 °C [-40 ... +131 °F] -60 ... +55 °C [-76 ... +131 °F]

- 1) Die niedrige Umgebungstemperatur von -40 °C [-40 °F] gilt für Typen mit Rosemount- oder Limatherm-Gehäusen. Die niedrige Umgebungstemperatur von entweder -40 °C [-40 °F] oder -60 °C [-76 °F] gilt für Typen mit WIKA-Gehäusen der Baureihen 1/4000, 5/6000, 7/8000. Symbolerklärung für den niedrigen Temperaturbereich, siehe Seite 40.
- 2) Die Temperaturklasse hängt von der Umgebungstemperatur ab.
- 3) Maximale Oberflächentemperatur ( $T_{\max}$ ) an der Fühler- oder Schutzrohrspitze =  $T_p$  (Prozesstemperatur) + Eigenerwärmung. Die Berechnungsmethode ist im Handbuch beschrieben.

## Variante 3 zertifiziertes Betriebsmittel (Feldtransmitter)

Elekt- rische Daten	Kennzeichnung	Temperaturen	
		Temperaturklasse	Umgebung
Siehe Transmitter <sup>1)</sup>	II 2G Ex db IIC T* <sup>2)3)</sup> Gb II 2D Ex tb IIIC T* <sup>3)</sup> Db	Siehe Transmitter <sup>1)</sup>	

- 1) Die Parameter für zertifizierte Betriebsmittel (Feldtransmitter) sind aus dem zugehörigen Handbuch zu entnehmen.
- 2) Die Temperaturklasse hängt von der Umgebungstemperatur ab.
- 3) Maximale Oberflächentemperatur ( $T_{\max}$ ) an der Fühler- oder Schutzrohrspitze =  $T_p$  (Prozesstemperatur) + Eigenerwärmung. Die Berechnungsmethode ist im Handbuch beschrieben.

# 1. Ex-Kennzeichnung / 2. Sicherheit

Beim Einbau eines Transmitters und/oder einer Digitalanzeige gelten die besonderen Bedingungen aus der Baumusterprüfbescheinigung, siehe Kapitel 4 „Besondere Bedingungen für die Verwendung (X-Conditions)“.

## 2. Sicherheit

### 2.1 Symbolerklärung



#### **GEFAHR!**

... weist auf eine möglicherweise gefährliche Situation im explosionsgefährdeten Bereich hin, die zum Tod oder zu schweren Verletzungen führen kann, wenn sie nicht gemieden wird.

### 2.2 Bestimmungsgemäße Verwendung

Thermometer dieser Baureihe sind geeignet zur Temperaturmessung in explosionsgefährdeten Bereichen der Zone 1. Wenn das Thermometer in einem einteiligen Schutzrohr eingebaut ist, ist es geeignet für Zone 21, für Zonentrennung zwischen Zone 20 und 21 oder Zonentrennung zwischen Zone 0 und 1. Mögliche Sensormessbereiche:  $-196 \dots +1.200 \text{ °C}$  [ $-321 \dots +2.192 \text{ °F}$ ]. Die Auswahl des geeigneten Schutzrohrmaterials in Abhängigkeit des zu messenden Messstoffs ist durch den Betreiber sicherzustellen. Der auswechselbare, zentrisch gefederte Messeinsatz und sein erweiterter Federweg ermöglichen die Kombination mit den verschiedensten Anschlusskopfvarianten.

### Technische Beschreibung der Baureihen T\*12-B-\*DB oder T\*12-B-\*DC (druckfeste Kapselung)

Die elektrischen Thermometer TR12-B-\*DB und TR12-B-\*DC (Widerstandsthermometer) bzw. TC12-B-\*DB und TC12-B-\*DC (Thermoelement) bestehen aus dem Modul TR12-M-\*D\* oder TC12-M-\*D\*, das an ein Ex d zertifiziertes Gehäuse angebaut ist. Das Modul besteht aus einem gefederten Messeinsatz TR12-A-\*\*\* oder TC12-A-\*\*\* in einem druckfesten Halsrohr. Der Messeinsatz wirkt in Verbindung mit dem Halsrohr als zünddurchschlagsicherer Spalt. Der Messeinsatz der Standardvarianten kann ausgetauscht werden und eignet sich für einen Einbau in ein einteiliges Schutzrohr. Varianten laut Zeichnung 14207105 sind für den direkten Einbau in den Prozess konzipiert worden. Der Messeinsatz dieser Varianten ist nicht austauschbar.

Der Fühlerbereich des Messeinsatzes ist aus einem geschweißten Rohr oder mineralisierter Leitung gefertigt. Der Temperatursensor ist in einem Keramikpulver, einer temperaturbeständigen Vergussmasse, Zementmasse oder einer Wärmeleitpaste eingebettet.

Wenn der Temperatursensor als geerdetes Thermoelement ausgeführt ist, sind die Drähte des Thermoelements direkt mit dem Mantel verbunden. Typen mit Durchmessern unter 3 mm [0,12 in] sowie geerdete Thermoelemente sind als galvanisch mit Erdpotential verbunden zu betrachten.

## 2. Sicherheit

Die Anschlussseite des Messeinsatzes besteht aus einer geschweißten Hülse (Übergang) mit verbundenen Anschlussdrähten.

Die Thermometer der Typen TR12-M-\*DB, TR12-M-\*DC, TC12-M-\*DB oder TC12-M-\*DC werden in ein nach IECEX TUN 18.0010U oder TÜV 18 ATEX 211394 U Ex d und Ex t zertifiziertes Gehäuse der von WIKA hergestellten Baureihen 1/4000, 7/8000 oder 5/6000 eingebaut. Das Gehäuse und die Deckel sind aus CrNi-Stahl oder Aluminium. Der Deckel kann optional mit einer Glaslinse (Fenster) versehen sein.

DE

Alternativ können die Thermometer in andere zertifizierte Gehäuse oder Baugruppen eingebaut werden, sofern diese in der „WIKA ATEX und IECEX Ex d und Ex t Gehäuse- und Geräteleiste“, Artikelnummer: 14011281.08, eingebaut sind, siehe „Anlage 2: WIKA ATEX und IECEX Gehäuse- und Geräteleiste“.

Es sind 3 verschiedene Varianten an Prozessthermometern der Typen T\*12-B-\*DB oder T\*12-B-\*DC verfügbar:

- Variante 1: Das Thermometer (Modul) vom Typ TR12-M-\*D\* oder TC12-M-\*D\* wird an ein zertifiziertes Leergehäuse mit der Zündschutzart „druckfeste Kapselung“ angebaut. Klemmen sind im Inneren des Gehäuses angebracht.
- Variante 2: Das Thermometer (Modul) vom Typ TR12-M-\*D\* oder TC12-M-\*D\* wird an ein zertifiziertes Leergehäuse mit der Zündschutzart „druckfeste Kapselung“ angebaut. Elektronikgeräte sind im Inneren des Gehäuses angebracht.
- Variante 3: Das Thermometer (Modul) vom Typ TR12-M-\*D\* or TC12-M-\*D\* wird an ein zertifiziertes Betriebsmittel (Feldtransmitter) mit der Zündschutzart „druckfeste Kapselung“ angebaut.

Die Module TR12-M-\*DB, TR12-M-\*DC, TC12-M-\*DB oder TC12-M-\*DC sind für den Anbau an ein Ex d zertifiziertes Gehäuse durch den Endanwender vorgesehen. Das Modul trägt die Kennzeichnung ohne Temperaturklasse, entweder II 2G Ex db IIC Gb oder II 1/2G Ex db IIC Ga/Gb. Alle für die Varianten 1 bis 3 beschriebenen Bedingungen und Begrenzungen gelten auch für die Kombinationsgeräte. Die Verantwortung hierfür liegt beim Betreiber.

### Technische Beschreibung der Baureihen T\*12-B-\*DG (druckfeste oder staubdichte Kapselung)

Die elektrischen Thermometer TR12-B-\*DG (Widerstandsthermometer) bzw. TC12-B-\*DG (Thermoelement) bestehen aus dem Modul TR12-M-\*D\* oder TC12-M-\*D\*, das an ein Ex d und Ex t zertifiziertes Gehäuse angebaut ist. Das Modul besteht aus einem gefederten Messeinsatz TR12-A-\*\*\* oder TC12-A-\*\*\* in einem druckfesten Halsrohr. Der Messeinsatz wirkt in Verbindung mit dem Halsrohr als zünddurchschlagsicherer Spalt. Der Messeinsatz der Standardvarianten kann ausgetauscht werden und eignet sich für einen Einbau in ein einteiliges Schutzrohr. Sondervarianten für den direkten Einbau in den Prozess ohne austauschbaren Messeinsatz sind auf Anfrage möglich.

Der Fühlerbereich des Messeinsatzes ist aus einem geschweißten Rohr oder einer mineralisierten Leitung gefertigt. Der Temperatursensor ist in einem Keramikpulver, einer temperaturbeständigen Vergussmasse, Zementmasse oder einer Wärmeleitpaste eingebettet.

Wenn der Temperatursensor als geerdetes Thermoelement ausgeführt ist, sind die Drähte des Thermoelements direkt mit dem Mantel verbunden. Typen mit Durchmessern unter 3 mm [0,12 in] sowie geerdete Thermoelemente sind als galvanisch mit Erdpotential verbunden zu betrachten.

Die Anschlussseite des Messeinsatzes besteht aus einer geschweißten Hülse (Übergang) mit verbundenen Anschlussdrähten.

Die Thermometer der Typen TR12-M-\*DG oder TC12-M-\*DG werden in ein nach IECEx TUN 18.0010U oder TÜV 18 ATEX 211394 U Ex d und Ex t zertifiziertes Gehäuse der von WIKA hergestellten Baureihen 1/4000, 7/8000 oder 5/6000 eingebaut. Das Gehäuse und die Deckel sind aus CrNi-Stahl oder Aluminium. Der Deckel kann optional mit einer Glaslinse (Fenster) versehen sein.

Alternativ können die Thermometer in andere zertifizierte Gehäuse oder Baugruppen eingebaut werden, sofern diese in der „WIKA ATEX und IECEx Ex d und Ex t Gehäuse- und Geräteleiste“, Artikelnummer: 14011281.08, eingebaut sind (weitere Details in der Dokumentation des Herstellers).

Es sind 3 verschiedene Varianten an Prozessthermometern des Typs T\*12-B-\*DG verfügbar:

- Variante 1: Das Thermometer (Modul) vom Typ TR12-M-\*D\* oder TC12-M-\*D\* wird an ein zertifiziertes Leergehäuse mit der Zündschutzart „druckfeste Kapselung“ und „Staub-Schutzart“ angebaut. Klemmen sind im Inneren des Gehäuses angebracht.
- Variante 2: Das Thermometer (Modul) vom Typ TR12-M-\*D\* oder TC12-M-\*D\* wird an ein zertifiziertes Leergehäuse mit der Zündschutzart „druckfeste Kapselung“ und „Staub-Schutzart“ angebaut. Elektronikgeräte sind im Inneren des Gehäuses angebracht.

## 2. Sicherheit

- Variante 3: Das Thermometer (Modul) vom Typ TR12-M-\*D\* or TC12-M-\*D\* wird an ein zertifiziertes Betriebsmittel (Feldtransmitter) mit der Zündschutzart „druckfeste Kapselung“ und „Staub-Schutzart“ angebaut.

Die Module TR12-M-\*DG oder TC12-M-\*DG sind für den Anbau an ein Ex d und Ex t zertifiziertes Gehäuse durch den Endanwender vorgesehen. Das Modul trägt die Kennzeichnung ohne Temperaturklasse, entweder II 2G Ex db IIC und II 2D Ex tb IIIC oder 1/2G Ex db IIC Ga/ Gb und II 2D Ex tb IIIC Db. Alle für die Varianten 1 bis 3 beschriebenen Bedingungen und Begrenzungen gelten auch für die Kombinationsgeräte. Die Verantwortung hierfür liegt beim Betreiber.

### 2.3 Verantwortung des Betreibers

Die Verantwortung über die Zoneneinteilung unterliegt dem Anlagenbetreiber und nicht dem Hersteller/Lieferanten der Betriebsmittel.

### 2.4 Personalqualifikation

Das Elektrofachpersonal muss Kenntnisse haben über Zündschutzarten, Vorschriften und Verordnungen für Betriebsmittel in explosionsgefährdeten Bereichen.

## 2. Sicherheit

### 2.5 Beschilderung, Sicherheitskennzeichnungen



#### GEFAHR!

#### Lebensgefahr durch elektrischen Strom

Bei Berührung mit spannungsführenden Teilen besteht unmittelbare Lebensgefahr.

- ▶ Das Gerät nicht unter Spannung öffnen.



#### VORSICHT!

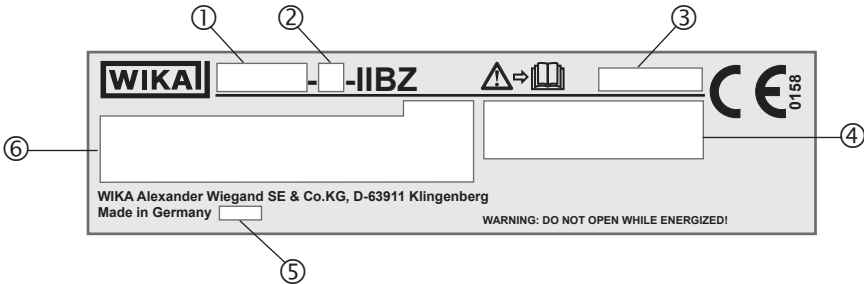
#### Sachschaden durch elektrostatische Entladung (ESD)




Bei Arbeiten mit offenen Schaltkreisen (Leiterplatten) besteht die Gefahr empfindliche elektronische Bauteile durch elektrostatische Entladung zu beschädigen.

- ▶ Die ordnungsgemäße Verwendung geerdeter Arbeitsflächen und persönlicher Armbänder ist erforderlich.

DE

### Typenschild (Beispiel)



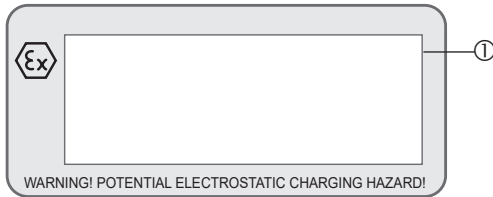
- |                             |   |
|-----------------------------|---|
| ① Typ                       | ⑥ ■ Angaben zur Ausführung (Messelement, Messbereich...)  |
| ② A = Messeinsatz           | Sensor gemäß Norm (Widerstandsthermometer)  |
| B = Prozessthermometer      | - F = Dünnschicht-Messwiderstand  |
| M = Basismodul              | - W = Drahtgewickelter Messwiderstand   |
| ③ Seriennummer              | Sensor gemäß Norm (Thermoelement)   |
| ④ Zulassungsrelevante Daten | - ungrounded  = isoliert verschweißt               |
| ⑤ Herstellungsjahr          | - grounded  = mit dem Mantel verschweißt (geerdet) |
|                             | = Das Thermometer ist, aufgrund geringer Isolationsabstände zwischen Widerstandssensor und Mantel, als geerdet zu betrachten.         |
|                             | - quasi geerdet                                    |
|                             | ■ Transmittertyp (nur bei Ausführung mit Transmitter)   |

## 2. Sicherheit



Vor Montage und Inbetriebnahme des Geräts unbedingt die Betriebsanleitung lesen!

### Zusätzliches Typenschild



① Zulassungsrelevante Daten



ATEX/IECEX: Minimale zulässige Umgebungstemperatur -60 °C [-76 °F]

Die Einsatzfähigkeit des Geräts wird in diesem Falle durch ein Schneeflockensymbol gekennzeichnet.

Für den Einsatz in Bereichen mit hohen oder wiederholten Ladevorgängen müssen besondere Schutzmaßnahmen ergriffen werden.



### 3. Inbetriebnahme, Betrieb



#### **GEFAHR!**

##### **Lebensgefahr durch Explosion**

Durch Arbeiten in entzündlichen Atmosphären besteht Explosionsgefahr, die zum Tod führen kann.

- ▶ Rüstarbeiten nur in nicht-explosionsgefährdeter Umgebung durchführen!
- ▶ Gerät nicht unter Spannung öffnen.



#### **GEFAHR!**

##### **Lebensgefahr durch Explosion**

Durch die Verwendung eines Messeinsatzes ohne geeigneten Anschlusskopf (Gehäuse) besteht Explosionsgefahr, die zum Tod führen kann.

- ▶ Messeinsatz nur im dafür vorgesehenen Anschlusskopf betreiben.



#### **GEFAHR!**

##### **Lebensgefahr durch Explosion**

Bei Nichtbeachten der zulässigen Gewindespalte und der entsprechenden Anzugsdrehmomente kann zum Verlust des Explosionsschutzes führen.

- ▶ Anzahl der Gewindgänge im Eingriff gemäß Kapitel 3.6 „Gewindespalte“ und entsprechender Kapitel der Betriebsanleitung TR12/TC12 mit der Artikelnummer 14064370 sicherstellen.

Besondere Bedingungen beachten (siehe Kapitel 4 „Besondere Bedingungen für die Verwendung (X-Conditions)“).

#### **3.1 Mechanische Montage**

Bei vormontiertem Anschlusskopf darf die direkte Schraubverbindung des Thermometers zum Anschlusskopf oder Gehäuse nicht verdreht oder geöffnet werden. Eine Ausrichtung des Gehäuses kann nur über das optional teilbare Halsrohr erfolgen.

Bescheinigte und gelistete Feldgehäuse (Variante 3) dürfen nur von einer eingewiesenen Fachkraft nach dem aktuellen Stand der Technik montiert und installiert werden.

#### **Aus- und Einbau des Messeinsatzes**

Vor Öffnen des Geräts dieses spannungsfrei schalten und Sicherungsschraube des Deckels (siehe Kapitel 5.2) lösen. Beim Austausch des Messeinsatzes dürfen die Oberflächen des zünddurchschlagsicheren Spalts nicht beschädigt werden. Kratzer, Riefen, Dellen, Beulen usw. sind nicht zulässig. Die Spaltlängen und Spaltweiten des zünddurchschlagsicheren Spalts dürfen nicht verändert werden.

Detaillierte Beschreibung des Aus- und Einbaus der Betriebsanleitung TR12/TC12 mit der Artikelnummer 14064370 entnehmen.

## 3. Inbetriebnahme, Betrieb

### 3.2 Sicherungsschraube



Sicherungsschraube stets festziehen, um unbeabsichtigtes Öffnen des druckfest gekapselten Kopfs zu verhindern.

Vor dem Öffnen des Kopfs die Sicherungsschraube unbedingt weit genug lösen.

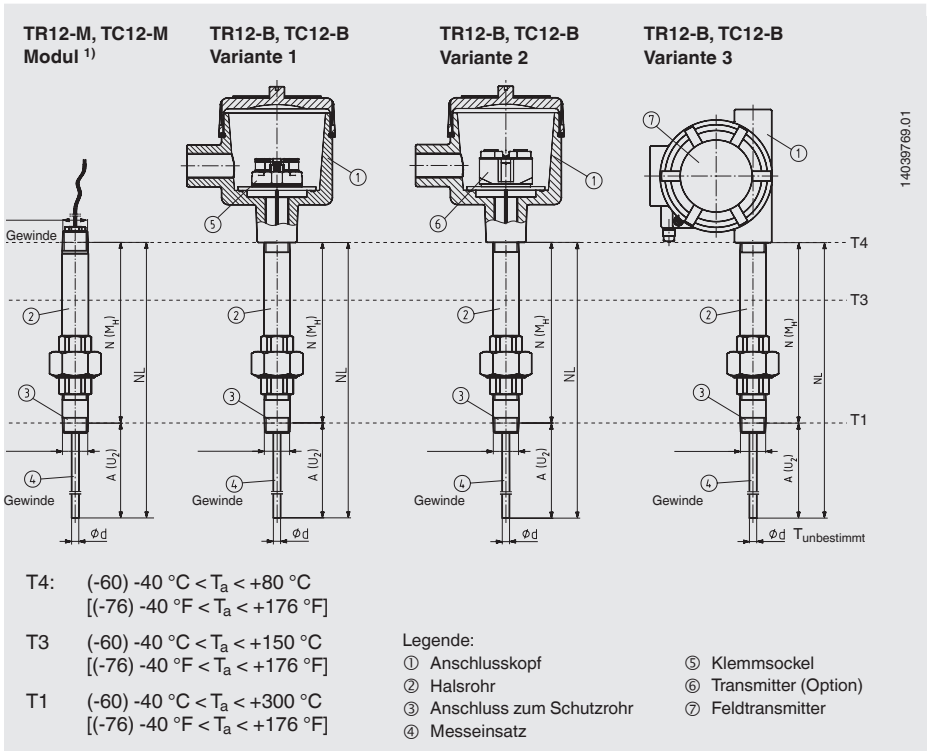
DE

### 3.3 Elektrische Montage

- Bei der Installation der Thermometer sind nur Bauteile (z. B. Leitungen, Kabelverschraubungen etc.) zulässig, die für „druckfeste Kapselung“ und, falls zutreffend, für „Schutz durch Gehäuse“ geeignet sind.
- Einsatz eines/r Transmitters/Digitalanzeige (Option):  
Den Inhalt dieser und der zum Transmitter/Digitaldisplay gehörenden Betriebsanleitung (siehe Lieferumfang) beachten. Die einschlägigen Bestimmungen für Errichtung und Betrieb elektrischer Anlagen, sowie die Verordnung und Richtlinien für den Explosionsschutz beachten.
- Die Temperaturbeständigkeit der Anschlussleitungen, der Anschlussköpfe, der Kabeleinführungen und gegebenenfalls der Blindstopfen muss mindestens so hoch wie die maximal zulässige Umgebungstemperatur und mindestens so niedrig wie die minimal zulässige Umgebungstemperatur sein.
- Keine Batterien in das Gehäuse einbauen.
- Montage in metallische Behälter:  
Das Gehäuse muss gegen elektromagnetische Felder und elektrostatische Aufladungen geerdet werden. Es muss nicht gesondert an das Potenzialausgleichssystem angeschlossen werden. Es ist ausreichend, wenn das metallische einteilige Schutzrohr festen und gesicherten Kontakt mit dem metallischen Behälter oder dessen Konstruktionsteilen oder Rohrleitungen hat, insofern diese Bauteile mit einem Potenzialausgleichssystem verbunden sind.
- Montage in nichtmetallische Behälter:  
Alle in den explosionsgefährdeten Bereich ragenden elektrisch leitenden Thermometerkomponenten müssen mit einem Potenzialausgleich versehen werden.

# 3. Inbetriebnahme, Betrieb

## 3.4 Sicherheitstechnische Hinweise für die verschiedenen Varianten



1) Betrieb ohne geeignetes Gehäuse nicht zulässig.

### 3.4.1 Variante 1

Das Thermometer (Modul) vom Typ TR12-M oder TC12-M wird an ein zertifiziertes Leergehäuse mit der Zündschutzart „druckfeste Kapselung“ und optional mit „Staub-Schutzart“ angebaut. Klemmen sind im Inneren des Gehäuses angebracht. Das Kennzeichnungsschild für die komplette Baugruppe TR12-B oder TC12-B befindet sich am Gehäuse bzw. auf dem Anschlusskopf. Das Modul ist als Teil von TR12-B oder TC12-B gekennzeichnet; die Seriennummer befindet sich am Halsrohr.

#### Variante 1, Einsatz in Zone 1 oder 21

Ist das Thermometer TR12-B oder TC12-B mit II 2G Ex db IIC T1 ... T6 Gb gekennzeichnet, ist es für den Einsatz in Zone 1 vorgesehen.

Wenn das Thermometer TR12-B oder TC12-B mit II 2G Ex db IIC T1 ... T6 Gb und II 2D Ex tb IIIC T\* Db gekennzeichnet ist, ist es für den Einsatz in Zone 1 oder Zone 21 vorgesehen.

## 3. Inbetriebnahme, Betrieb

### Variante 1, Einsatz an der Trennwand zur Zone 0

Ist das Thermometer TR12-B oder TC12-B mit II 1/2G Ex db IIC T1 ... T6 Ga/Gb gekennzeichnet, ist es für den Einsatz mit einem einteiligen Schutzrohr an der Trennwand zu Zone 0 vorgesehen. Die druckfeste Kapselung oder der Anschlusskopf befindet sich in Zone 1 oder Zone 2. Der Sensor befindet sich innerhalb eines einteiligen Schutzrohrs, das über einen Prozessanschluss in Zone 0 hineinragt.

Das Thermometer ist deshalb mit einer leistungsbegrenzenden Schaltung zu betreiben.

$P_{\max}$ : 2 W

$U_{\max}$ : 30 V

Ein Netzteil mit einer geeigneten Begrenzung oder eine Sicherung muss zur Energiebegrenzung in den Versorgungsstromkreis eingebaut werden.

Ein Netzteil mit Ex ia-Stromkreisen erfüllt diese Bedingungen, jedoch ist sie nicht notwendig, wenn die Begrenzung durch andere Maßnahmen erreicht wird. Die Verantwortung hierfür liegt beim Betreiber.

Eine Erwärmung im Anschlusskopf findet bei Variante 1 nicht statt. Jedoch ist ein unzulässiger Wärmerückfluss aus dem Prozess, welcher die Betriebstemperatur des Gehäuses oder die Temperaturklasse überschreitet, durch geeignete Wärmeisolierung oder ein entsprechend langes Halsrohr zu verhindern.

### 3.4.2 Variante 2

Das Thermometer (Modul) TR12-M oder TC12-M wird an ein zertifiziertes Leergehäuse mit der Zündschutzart „druckfeste Kapselung“ und optional mit „Staub-Schutzart“ angebaut. Elektronikgeräte sind im Inneren des Gehäuses angebracht.

Das Kennzeichnungsschild für die komplette Baugruppe TR12-B oder TC12-B befindet sich am Gehäuse bzw. auf dem Anschlusskopf. Das Modul ist als Teil von TR12-B oder TC12-B gekennzeichnet; die Seriennummer befindet sich am Halsrohr.

### Variante 2, Einsatz in Zone 1 oder 21

Ist das Thermometer TR12-B oder TC12-B mit II 2G Ex db IIC T1 ... T6 Gb gekennzeichnet, ist es für den Einsatz in Zone 1 vorgesehen.

Wenn das Thermometer TR12-B oder TC12-B mit II 2G Ex db IIC T1 ... T6 Gb und II 2D Ex tb IIIC T\* Db gekennzeichnet ist, ist es für den Einsatz in Zone 1 oder Zone 21 vorgesehen.

### Variante 2, Einsatz an der Trennwand zur Zone 0

Ist das Thermometer TR12-B oder TC12-B mit II 1/2G Ex db IIC T1 ... T6 Ga/Gb gekennzeichnet, ist es für den Einsatz mit einem einteiligen Schutzrohr an der Trennwand zu Zone 0 vorgesehen.

Die druckfeste Kapselung oder der Anschlusskopf befindet sich in Zone 1 oder Zone 2. Der Sensor befindet sich innerhalb eines einteiligen Schutzrohrs, das über einen Prozessanschluss in Zone 0 hineinragt.

Das Thermometer ist deshalb mit einer leistungsbegrenzenden Schaltung zu betreiben.

$P_{\max}$ : 2 W

$U_{\max}$ : 30 V

### 3. Inbetriebnahme, Betrieb

DE

Ein Netzteil mit einer geeigneten Begrenzung oder eine Sicherung muss zur Energiebegrenzung in den Versorgungsstromkreis eingebaut werden.

Ein Netzteil mit Ex ia-Stromkreisen erfüllt diese Bedingungen, jedoch ist sie nicht notwendig, wenn die Begrenzung durch andere Maßnahmen erreicht wird. Die Verantwortung hierfür liegt beim Betreiber.

WIKA empfiehlt, mit einer angepassten Vorsicherung im 4 ... 20 mA Stromkreis des Kopftransmitters die Leistungsbegrenzung zu realisieren. Im Fehlerfall des Kopftransmitters wird der Stromkreis durch Auslösen der Vorsicherung unterbrochen.

#### **Variante 2, Beispiel zur Berechnung der Vorsicherung für eine maximale Leistung am Sensor von 0,8 W:**

Der Innenwiderstand von Thermoelementen ist deutlich geringer als der Wärmewiderstand eines Pt100-Sensors, deshalb wird der deutlich ungünstigere Fall für das Widerstandsthermometer berechnet.

$$P_{\max} = (1,7 \times I_s)^2 \times R_w$$

$I_s$  = Sicherungsennstrom

$P_{\max}$  = maximale Leistung am Sensor = 0,8 W

$R_w$  = Widerstand des Sensors (temperaturabhängig)  
bei 450 °C = 264,18 Ω nach DIN EN 60751 für Pt100

Daraus ergibt sich folgender Sicherungsennstrom:

$$I_s = \sqrt{P_{\max} / R_w} / 1,7$$

$$I_s = \sqrt{0,8 \text{ W} / 265 \text{ } \Omega} / 1,7$$

$$I_s = 32,32 \text{ mA}$$

Daraus resultiert ein Bemessungsstrom für einen G-Sicherungseinsatz = 32 mA

Hinweis zur Sicherungsberechnung:

Es muss immer der nächst kleinere Sicherungswert nach IEC 60127 gewählt werden.

Das Ausschaltvermögen muss ingenieurmäßig vernünftig an die Spannungsversorgung angepasst werden. Übliche Werte für solche G-Sicherungseinsätze liegen zwischen AC 20 A und AC 80 A Bemessungsausschaltvermögen.

#### **Variante 2, Beispiel zur Berechnung der Vorsicherung für eine maximale Leistung am Sensor von 0,5 W:**

Für eine maximale Leistung am Sensor von 0,5 W ergibt sich folgender Wert:

$$I_s = \sqrt{0,5 \text{ W} / 265 \text{ } \Omega} / 1,7$$

$$I_s = 25,55 \text{ mA}$$

Daraus resultiert ein Bemessungsstrom für einen G-Sicherungseinsatz = 25 mA

Bei der Verwendung von Mehrfachsensoren und zeitgleichem Betrieb darf die Summe der Einzelleistungen den Wert der maximal zulässigen Leistung nicht überschreiten.

Innenwiderstand von TC-Messeinsätzen Ø 6 mm [0,24 in]: ca. 1,2 Ω/m

Innenwiderstand von TC-Messeinsätzen Ø 3 mm [0,12 in]: ca. 5,6 Ω/m

Diese Messwerte gelten für Raumtemperatur.

## 3. Inbetriebnahme, Betrieb

### Variante 2, Temperaturanstieg auf der Oberfläche des Anschlusskopfs

Für alle WIKA-Anschlussköpfe mit eingebauten WIKA-Temperaturtransmittern gilt folgender Zusammenhang:

Der Temperaturanstieg auf der Oberfläche des Anschlusskopfs oder Gehäuses ist geringer als 25 K, wenn die folgenden Bedingungen beachtet werden: Spannungsversorgung  $U_B$  maximal DC 30 V, wenn der Transmitter mit einer Strombegrenzung von 22,5 mA betrieben wird.

DE

Eine Erwärmung im Anschlusskopf kann bei Variante 2 durch eine fehlerhafte Elektronik stattfinden. Die zulässigen Umgebungstemperaturen richten sich nach den eingesetzten Gehäusen und dem zusätzlich eingebautem Kopftransmitter.

Ein unzulässiger Wärmerückfluss aus dem Prozess, welcher die Betriebstemperatur des Transmitters oder Gehäuses überschreitet, ist durch geeignete Wärmeisolierung oder ein entsprechend langes Halsrohr zu verhindern.

### 3.4.3 Variante 3

Das Thermometer (Modul) TR12-M oder TC12-M wird an ein zertifiziertes Betriebsmittel (Feldtransmitter) mit der Zündschutzart „druckfeste Kapselung“ und optional mit „Staubschutzart“ angebaut.

Das Kennzeichnungsschild für die komplette Baugruppe TR12-B oder TC12-B befindet sich auf dem Halsrohr. Die Originalkennzeichnung des Feldtransmitters bleibt unverändert.

### Variante 3, Einsatz in Zone 1 oder 21

Ist das Thermometer TR12-B oder TC12-B mit II 2G Ex db IIC T\* Gb gekennzeichnet, ist es für den Einsatz in Zone 1 vorgesehen.

Wenn das Thermometer TR12-B oder TC12-B mit II 2G Ex db IIC T\* Gb und II 2D Ex tb IIIC T\* Db gekennzeichnet ist, ist es für den Einsatz in Zone 1 oder Zone 21 vorgesehen.

### Variante 3, Einsatz an der Trennwand zur Zone 0

Für einen etwaigen Einsatz an der Trennwand zu Zone 0 mit einem einteiligen Schutzrohr sind die Zulassungen und Bedingungen der jeweiligen Transmitter zu beachten. Es dürfen ausschließlich die Feldtransmitter eingesetzt werden, welche im Anhang („WIKA ATEX und IECEx Ex d und Ex t Gehäuse- und Geräteliste“, Artikelnummer: 14011281.08) des Ex d und Ex t Zertifikats namentlich gelistet wurden.

### 3.4.4 Module TR12-M oder TC12-M

Das Modul (bzw. Thermometer) TR12-M oder TC12-M besteht aus einem gefederten Messeinsatz TR12-A oder TC12-A in einem druckfesten Halsrohr. Der Messeinsatz wirkt in Verbindung mit dem Halsrohr als zünddurchschlagsicherer Spalt. Der Messeinsatz der Standardvarianten kann ausgetauscht werden und eignet sich für einen Einbau in ein einteiliges Schutzrohr.

Die Module sind für den Anbau an ein Ex d und optional ein Ex t zertifiziertes Gehäuse durch den Endanwender vorgesehen.

## 3. Inbetriebnahme, Betrieb

DE

Es dürfen ausschließlich die Feldtransmitter oder Gehäuse eingesetzt werden, welche im Anhang („WIKA ATEX und IECEx Ex d und Ex t Gehäuse- und Geräteliste“, Artikelnummer: 14011281.08) des Ex d und Ex t Zertifikats namentlich gelistet wurden. Alle für die Varianten 1 bis 3 beschriebenen Bedingungen und Begrenzungen gelten auch für die Kombinationsgeräte. Die Verantwortung hierfür liegt beim Betreiber. Das Modul darf nicht ohne zertifiziertes Gehäuse oder Anschlusskopf betrieben werden. Das Modul ist ohne Temperaturklasse auf dem Halsrohr gekennzeichnet. Wenn das Modul TR12-M oder TC12-M mit II 2G Ex db IIC Gb gekennzeichnet ist, ist es für den Einsatz in Zone 1 vorgesehen.

Wenn das Modul TR12-M oder TC12-M mit II 2G Ex db IIC und II 2D Ex tb IIIC Db gekennzeichnet ist, ist es für den Einsatz in Zone 1 oder Zone 21 vorgesehen.

Wenn das Modul TR12-M oder TC12-M mit II 1/2G Ex db IIC Ga/Gb gekennzeichnet ist, ist es für den Einsatz mit einem einteiligen Schutzrohr an der Trennwand zu Zone 0 vorgesehen.

### 3.4.5 Messeinsätze TR12-A oder TC12-A

Der gefederte Messeinsatz TR12-A oder TC12-A ist für den Einbau in ein druckfestes Halsrohr vorgesehen. Der Messeinsatz wirkt in Verbindung mit dem Halsrohr als zünddurchschlagsicherer Spalt. Es ist nur ein Ersatzteil und wird durch einen Kabelmarkierer mit einer Seriennummer gekennzeichnet.

### 3.4.6 Stückprüfungen

Die Stückprüfung nach 16.1.2 der IEC 60079-1:2014 kann entfallen, da die Überdruckprüfung nach 15.2.3.2 der genannten Norm erfolgreich mit einem Druck von 150 bar [2.175 psi] (das Vierfache des Referenzdrucks von 37,5 bar [543 psi]) durchgeführt wurde. Die mechanische Stabilität wird durch Qualitätskontrolle sichergestellt.

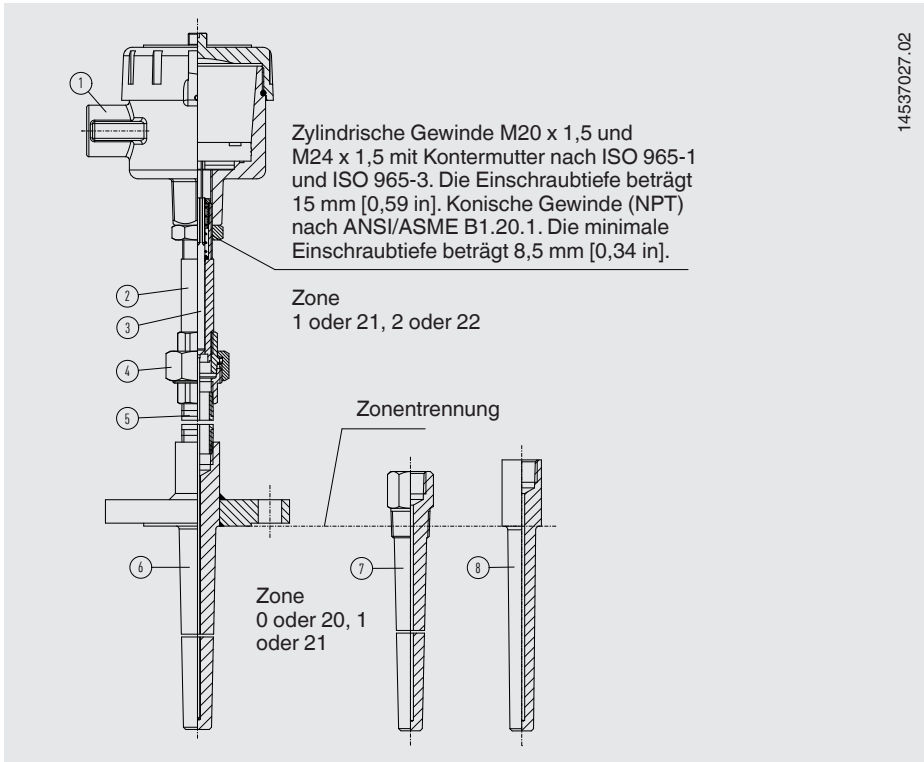
### 3.4.7 Verwendung in Methan-Atmosphären

Aufgrund der höheren Grenzspaltweite (MESG) und Mindestzündstrom (MIC) von Methan können die Geräte auch in dadurch verursachten explosionsgefährdeten Gasatmosphären eingesetzt werden.

### 3.4.8 Anforderungen an das einteilige Schutzrohr bzw. die Trennwand

Das einteilige Schutzrohr muss aus korrosionsbeständigem Stahl mit einer Wanddicke von mindestens 1 mm [0,04 in] oder einer anderen Metallart mit einer Wanddicke von mindestens 3 mm [0,12 in] bestehen. Alle Metalle mit einer Druckfestigkeit von mindestens 70 MPa bzw. 700 bar [10.153 psi] oder höher sind zulässig. Das Betriebsmittel muss so konzipiert werden, dass bei der Installation ein ausreichend dichter Spalt (IP66 oder IP67 nach EN/IEC 60529) bzw. ein zünddurchschlagsicherer Spalt nach EN/IEC 60079-1 (Spalten für ein Volumen  $\leq 100 \text{ cm}^3$ ) zwischen einem explosionsgefährdeten Bereich und dem nächsten erreicht wird.

## 3.5 Übersicht der Temperaturzonen



- ① Anschlusskopf
- ② Halsrohr
- ③ Messeinsatz
- ④ Teilbare Verschraubung (Beispiel)
- ⑤ Rohrnippel (Beispiel)
- ⑥ Schutzrohr mit Flansch (Beispiel)
- ⑦ Schutzrohr mit Einschraubgewinde (Beispiel)
- ⑧ Schutzrohr zum Einschweißen (Beispiel)

### Anforderungen an das Schutzrohr:

Das Schutzrohr muss aus korrosionsbeständigem Stahl mit einer Wandstärke von mindestens 1 mm [0,04 in] oder aus einer anderen Metallart mit einer Wandstärke von mindestens 3 mm [0,12 in] bestehen. Alle Metalle mit einer Streckgrenze von mindestens 70 MPa bzw. 689,46 bar [10.000 psi] sind zulässig.



### 3.6 Gewindespalte

Für die Montage die nachfolgenden zulässigen Gewindespalte für elektrische Betriebsmittel für gasexplosionsgefährdete Bereiche einhalten:

- Gewindespalte für zylindrische Gewinde (IEC/EN 60079-1, Tabelle 4):  
Gehäusevolumen  $< 100 \text{ cm}^3$ :  $\geq 5 \text{ mm}$  [0,20 in]  
Gehäusevolumen  $> 100 \text{ cm}^3$ :  $\geq 8 \text{ mm}$  [0,32 in]  
mind. 5 Gewindegänge im Eingriff
  
- Gewindespalte für kegelige Gewinde (IEC/EN 60079-1, Tabelle 5):  
an jedem Teil  $\geq 5$   
mind. 4,5 Gewindegänge im Eingriff

### 4. Besondere Bedingungen für die Verwendung (X-Conditions)

- 1) Die bescheinigten Thermometer Typ T\*12-\* dürfen nur an bescheinigte Gehäuse angebaut werden, die in der Anlage „WIKA ATEX Ex-d Gehäuse und Geräte Liste“, Artikel-Nr.: 14011281.08 aufgeführt sind.
- 2) Bei Anwendungen der Thermometer in Zone 0 muss ein zusätzliches Schutzrohr das Thermometer von dem zu messenden Medium trennen. Das Schutzrohr muss aus korrosionsbeständigem Stahl mit einer minimalen Wandstärke von 1 mm oder einem anderen Metall mit einer Mindestwandstärke von 3 mm bestehen. Alle Metalle mit einer Streckgrenze von 70 MPa bzw. 10.000 PSI oder mehr sind zulässig. Das Thermometer muss mit einer leistungsbegrenzenden Schaltung betrieben werden. Als Energiebegrenzungsmaßnahme ist ein Netzteil mit geeigneter Begrenzung oder eine Sicherung in den Versorgungsstromkreis einzubauen. Die Dimensionierung der Sicherung ist abhängig von der Temperaturklasse, der Prozesstemperatur und der Versorgungsspannung (Berechnungsbeispiele in Betriebsanleitung) durchzuführen.
- 3) Bei Installationen in Zone 1 oder Zone 21 müssen die Berechnungen für die limitierende Temperaturklasse oder Oberflächentemperatur, die Prozesstemperatur und die Spannungsversorgung ebenfalls durchgeführt werden, jedoch ohne die Anforderungen an die limitierende Sicherung. (siehe Anleitung).
- 4) Ein unzulässiger Wärmerückfluss aus dem Prozess muss z.B. durch Wärmeisolierung oder ein verlängertes Halsrohr verhindert werden. Ein unzulässiger Wärmerückfluss ist dann gegeben, wenn der Wärmeeintrag aus dem Prozess die Betriebstemperatur des Gehäuses oder die Temperaturklasse überschreitet.
- 5) Die Spaltlängen der zünddurchschlagsicheren Spalte dieses Betriebsmittels sind teils länger und die Spaltweiten der zünddurchschlagsicheren Spalte sind teils kleiner als in Tabelle 3 von EN 60079-1:2014 gefordert
- 6) Die in den jeweiligen Bescheinigungen der Geräte (Transmitter) und Leergehäuse aufgeführten Auflagen / Bedingungen, beziehungsweise Verwendungshinweise sind zu beachten.
- 7) Das Thermometer darf nur in Bereichen eingesetzt werden, in denen hohe oder wiederkehrende Aufladungsvorgänge aufgrund der örtlichen Gegebenheiten oder aufgrund des geschützten Einbaus für die Typenschilder sicher ausgeschlossen sind.

### 5. Berechnungsbeispiele für die Eigenerwärmung an der Schutzrohrspitze

Die Eigenerwärmung an der Schutzrohrspitze hängt ab vom Sensortyp (TC/RTD), dem Messeinsatzdurchmesser und der Bauart des Schutzrohrs. Die nachstehende Tabelle zeigt die möglichen Kombinationen. Die Erwärmung an der Fühlerspitze des blanken Messeinsatzes ist deutlich höher, auf die Darstellung dieser Werte wurde aufgrund des notwendigen Zusammenbaus mit einem einteiligen Schutzrohr verzichtet. Aus der Tabelle ist ersichtlich, dass Thermoelemente eine deutlich geringere Eigenerwärmung erzeugen als Widerstandsthermometer.

DE

#### 5.1 Beispielsberechnung für die Variante 2 mit RTD-Sensor

- Einsatz an der Trennwand zur Zone 0, Kennzeichnung II 1/2G Ex db IIC T1 ... T6 Ga/Gb leistungsbegrenzende Schaltung durch Vorsicherung mit 32 mA.

Gesucht wird die maximal mögliche Temperatur  $T_{\max}$  an der Schutzrohrspitze für nachfolgende Kombination:

- ▶ RTD-Messeinsatz  $\varnothing$  6 mm [0,24 in] mit eingebautem Kopfrtransmitter, zusammengebaut mit einem Vollmaterialschutzrohr (einteilig).

$T_{\max}$  ergibt sich aus der Addition der Messstofftemperatur sowie der Eigenerwärmung. Die Eigenerwärmung hängt ab von der zugeführten Leistung  $P_o$  und dem Wärmewiderstand  $R_{th}$ . Die rechnerisch zugeführte Leistung  $P_o$  ergibt aus dem gewählten Normwert für die Vorsicherung und wird nur an der Fühlerspitze umgesetzt.

Die Berechnung erfolgt nach folgender Formel:  $T_{\max} = P_o \cdot R_{th} + T_P$

$T_{\max}$  = Oberflächentemperatur (max. Temperatur an der Schutzrohrspitze)

$P_o$  = 0,8 W (Vorsicherung mit 32 mA, es wird ein vollständiger Kurzschluss des Transmitters angenommen)

$R_{th}$  = Wärmewiderstand [K/W]

$T_P$  = Prozesstemperatur

#### Beispiel

Widerstandsthermometer RTD

Durchmesser: 6 mm [0,24 in]

Mediumtemperatur:  $T_P = 150 \text{ °C}$  [302 °F]

Zugeführte Leistung:  $P_o = 0,8 \text{ W}$

Temperaturklasse T3 (200 °C [392 °F]) darf nicht überschritten werden

Wärmewiderstand [ $R_{th}$  in K/W] aus Tabelle = 16 K/W

Eigenerwärmung:  $0,8 \text{ W} \cdot 16 \text{ K/W} = 12,8 \text{ K}$

$T_{\max} = T_P + \text{Eigenerwärmung: } 150 \text{ °C} + 12,8 \text{ °C} = 162,8 \text{ °C}$  [325 °F]

Als Sicherheitsabstand für baumustergeprüfte Geräte (für T6 bis T3) müssen von den 200 °C [392 °F] noch 5 °C [41 °F] subtrahiert werden, es wären 195 °C [383 °F] zulässig. Somit wird in diesem Fall die Temperaturklasse T3 nicht überschritten.

## 5. Berechnungsbeispiele für die Eigenerwärmung an der ...

### Zusatzinformation:

Temperaturklasse für T3 = 200 °C [392 °F]

Sicherheitsabstand für baumustergeprüfte Geräte (für T3 bis T6) <sup>1)</sup> = 5 K

Sicherheitsabstand für baumustergeprüfte Geräte (für T1 bis T2) <sup>1)</sup> = 10 K

Sicherheitsabstand für Anwendungen der Gerätekategorie 1 (Zone 0) <sup>2)</sup> = 80 % findet hier keine Anwendung

1) EN 60079-0:2018 Abs. 26.5.1.3

2) EN 1127-1: 2019 Abs. 6.4.2

### 5.2 Beispielsberechnung für die Variante 2 mit TC-Sensor

Unter den gleichen Bedingungen ergibt sich ein geringerer Wert für die Eigenerwärmung, da sich die zugeführte Leistung nicht nur an der Fühlerspitze umsetzt, sondern über die gesamte Länge eines Messeinsatzes.

Wärmewiderstand [ $R_{th}$  in K/W] aus Tabelle = 1 K/W

Eigenerwärmung:  $0,8 \text{ W} * 1 \text{ K/W} = 0,8 \text{ K}$

$T_{max} = T_P + \text{Eigenerwärmung: } 150 \text{ °C} + 0,8 \text{ °C} = 150,8 \text{ °C} [303 \text{ °F}]$

Als Sicherheitsabstand für baumustergeprüfte Geräte (für T6 bis T3) müssen von den 200 °C [392 °F] noch 5 °C [41 °F] subtrahiert werden, es wären 195 °C [383 °F] zulässig. Somit wird in diesem Fall die Temperaturklasse T3 nicht überschritten.

In diesem Beispiel wird deutlich, dass hier die Eigenerwärmung fast vernachlässigbar ist.



DE

## EU-Konformitätserklärung EU Declaration of Conformity

**Dokument Nr.:** 14031790.05  
**Document No.:**

Wir erklären in alleiniger Verantwortung, dass die mit CE gekennzeichneten Produkte  
We declare under our sole responsibility that the CE marked products

**Typenbezeichnung:** TR12-B-ZZZ, TR12-M-ZZZ, TR12-A-ZZZ;  
**Type Designation:** TC12-B-ZZZ, TC12-M-ZZZ, TC12-A-ZZZ;  
TR12-B-\*(1, 2, 4), TR12-M-\*(1, 2, 4), TR12-A-\*(1, 2, 4);  
TC12-B-\*(1, 2, 4), TC12-M-\*(1, 2, 4), TC12-A-\*(1, 2, 4);  
TR12-B-\*(D<sup>(1, 3)</sup>), TR12-M-\*(D<sup>(1, 3)</sup>), TC12-B-\*(D<sup>(1, 3)</sup>), TC12-M-\*(D<sup>(1, 3)</sup>);

**Beschreibung:** Prozessthermometer Typ TR12 und TC12 zum Einbau in ein Schutzrohr  
**Description:** Process thermometer model TR12 and TC12 for additional thermowell

gemäß gültigem Datenblatt: TE 60.16, TE 60.17, TE 65.16, TE 65.17  
according to the valid data sheet:

mit den nachfolgenden relevanten Harmonisierungsvorschriften der Union  
übereinstimmen:  
are in conformity with the following relevant Union harmonization  
legislation:

Angewandte harmonisierte Normen:  
Applied harmonised standards:

2011/65/EU	Gefährliche Stoffe (RoHS) Hazardous substances (RoHS)	EN IEC 63000:2018
2014/30/EU	Elektromagnetische Verträglichkeit (EMV) Electromagnetic Compatibility (EMC)	EN 61326-1:2013 <sup>(5)</sup> EN 61326-2-3:2013 <sup>(5)</sup>
2014/34/EU	Explosionsschutz (ATEX) <sup>(1, 2, 3, 4)</sup> Explosion protection (ATEX) <sup>(1, 2, 3, 4)</sup>	Refer to annex

- (1) Die folgenden Buchstaben für die Ex-Zertifizierung ersetzen den Platzhalter \*:  
A, B, C, D, E, F, G, H, I, J, K, L, M, O, P, Q, R, S, T, U, V, W, X, Y  
The following letters for the Ex certification replace the placeholder \*:  
A, B, C, D, E, F, G, H, I, J, K, L, M, O, P, Q, R, S, T, U, V, W, X, Y
- (2) EG-Baumusterprüfbescheinigung TÜV 10 ATEX 555793 X von TÜV NORD CERT GmbH (Reg.-Nr. 0044)  
EC type-examination certificate TÜV 10 ATEX 555793 X of TÜV NORD CERT GmbH (Reg. no. 0044)
- (3) EU-Baumusterprüfbescheinigung BVS 07 ATEX E 071 X von DEKRA Testing and Certification GmbH (Reg. Nr. 0158)  
EU type examination certificate BVS 07 ATEX E 071 X of DEKRA Testing and Certification GmbH (Reg. No. 0158)
- (4) Modul A, interne Fertigungskontrolle  
Module A, internal control of production
- (5) Gilt nur mit eingebautem WIKAI Transmitter. Werden Transmitter von anderen Herstellern verwendet, können diese anderen Normen entsprechen. Es sind dann die mitgelieferten Anleitungen und EU-Konformitätserklärungen dieser Transmitter zu beachten.  
Applies only to built-in WIKAI transmitter. When using transmitters of other manufacturers, other standards may apply.  
The instructions and EU Declarations of Conformity supplied with these transmitters must then be observed.

Unterschiedet für und im Namen von / Signed for and on behalf of

**WIKAI Alexander Wiegand SE & Co. KG**

Klingenberg, 2022-11-02

Stefan Heidinger, Vice President  
Electrical Temperature Measurement

WIKAI Alexander Wiegand SE & Co. KG  
Alexander-Wiegand-SträÙe 30  
63911 Klingenberg  
Germany  
WEEE-Reg.-Nr. DE 92770372

Tel. +49 9372 132-0  
Fax +49 9372 132-406  
E-Mail info@wika.de  
www.wika.de

Kommanditgesellschaft, Sitz Klingenberg –  
Amtsgericht Aschaffenburg HRA 1919

Roland Stapf, Head of Quality Management  
Process Instrumentation Corporate Quality

Komplementärin:  
WIKAI International SE - Sitz Klingenberg -  
Amtsgericht Aschaffenburg HRB 10505  
Vorstand: Alexander Wiegand  
Vorsitzender des Aufsichtsrats: Prof. Dr. Roderich C. Thümmel  
19AR-03458

## Anlage 2: WIKA ATEX und IECEx Gehäuse- und Geräteliste

The flameproof thermometers type Tx12-B, Tx12-M, Tx12-A<sup>1</sup> must be operated only mounted to the following certified flameproof enclosure/devices with a free volume of less or equal than 2 dm<sup>3</sup>.

The enclosure/device has a protection class of IP65 as a minimum. Entries for flameproof enclosures: Internal metric threads with a tolerance class of 6H or better according to ISO 965-1 and ISO 965-3 or internal NPT threads in accordance with ANSI/ASME B1.20.1.

No.	Variants			Manufacturer	Model name	EC-Type Examination Certificate	IECEx Certificate of Conformity
1	1	2		WIKA	1/4000, 5/6000, 7/8000	TÜV 18 ATEX 211394 U	IECEx TUN 18.0010U
2			3	WIKA	DIH**-F, TIF**-F	BVS 10 ATEX E 158	IECEx BVS 10.0103
3			3	Yokogawa	YTA series	KEMA 07ATEX0130 X	IECEx KEM 07.0044X
4			3	Rosemount	644	DEKRA 19ATEX0076X	IECEx FMG 12.0022X
5			3	Rosemount	3144P	DEKRA 19ATEX0076X	IECEx FMG 12.0022X
6	1	2		Rosemount	Connection Head	Baseefa14ATEX0228U	IECEx BAS 14.0106U
7			3	ABB	TTF300	PTB 99 ATEX 1144	IECEx PTB 12.0039
8	1	2		Limatherm	XD-ID100 series	FTZU 04 ATEX 0332 U	IECEx FTZU 10.0019U
9	1	2		Limatherm	XD-A series	FTZU 03 ATEX 0074 U	IECEx FTZU 14.0003U
10	1	2		Limatherm	XD-S series	FTZU 14 ATEX 0004 U	IECEx FTZU 17.0008U

# Sommaire

---

<b>1. Marquage Ex</b>	<b>56</b>
<b>2. Sécurité</b>	<b>61</b>
<b>3. Mise en service, utilisation</b>	<b>66</b>
<b>4. Conditions spécifiques d'utilisation (conditions X)</b>	<b>76</b>
<b>5. Exemples de calculs pour auto-échauffement à l'extrémité du doigt de gant</b>	<b>77</b>
<b>Annexe 1 : Déclaration de conformité UE</b>	<b>79</b>
<b>Annexe 2 : Liste des instruments et des boîtiers ATEX et IECEx WIKA</b>	<b>80</b>

---

## 1. Marquage Ex

### Documentation supplémentaire :

- ▶ Ces informations complémentaires concernant les zones explosives s'appliquent en conjonction avec le mode d'emploi "Sonde à résistance TR12 et thermocouple TC12" (numéro d'article 14064370).

## 1. Marquage Ex



### **DANGER !**

#### **Danger d'explosion vital**

Le non respect de ces instructions et de leurs contenus peut entraîner une perte de la protection contre les explosions.

- ▶ Observer les instructions de sécurité de ce chapitre et les autres instructions liées aux explosions de ce mode d'emploi.
- ▶ Respecter les exigences de la directive ATEX.
- ▶ Respecter les indications du certificat d'examen de type valable de même que les réglementations respectives concernant le montage et l'utilisation en zone explosive (par exemple EN CEI 60079-0, CEI 60079-1, CEI 60079-10 et CEI 60079-14).

Contrôler que la classification est adaptée à l'application. Observer les réglementations nationales concernées.



# 1. Marquage Ex

## Série T\*12-B-\*DB ou T\*12-B-\*DC (boîtier antidéflagrant)

Exécution 1 : boîtier vide				
Don- nées élec- triques	Marquage	Doigt de gant	Températures	
			Classe de température	Ambiante <sup>1)</sup>
U <sub>max</sub> = 30 V	II 2G Ex db IIC T* 2) 3) Gb	Non	T1 ... T5	-40 ... +85 °C [-40 ... +185 °F] -60 ... +85 °C [-76 ... +185 °F]
	II 1/2G Ex db IIC T* 2) 3) Ga/Gb	Oui	T1 ... T5	-40 ... +85 °C [-40 ... +185 °F] -60 ... +85 °C [-76 ... +185 °F]
	II 2G Ex db IIC T6 3) Gb	Non	T6	-40 ... +80 °C [-40 ... +176 °F] -60 ... +80 °C [-76 ... +176 °F]
	II 1/2G Ex db IIC T6 3) Ga/Gb	Oui	T6	-40 ... +80 °C [-40 ... +176 °F] -60 ... +80 °C [-76 ... +176 °F]

- 1) La température ambiante basse de -40 °C [-40 °F] s'applique aux types avec des boîtiers Rosemount ou Limatherm. La température ambiante basse de -40 °C [-40 °F] ou -60 °C [-76 °F] s'applique aux types avec des boîtiers WIKA des séries 1/4000, 5/6000, 7/8000. Pour l'explication des symboles pour la plage de température basse, voir la page 66.
- 2) La classe de température dépend de la température ambiante.
- 3) Température maximale de surface (T<sub>max</sub>) à l'extrémité du capteur ou du doigt de gant = T<sub>p</sub> (température process) + auto-échauffement. Se référer au manuel pour la méthode de calcul.

# 1. Marquage Ex

## Exécution 2 : boîtier vide + électronique

Données électriques	Marquage	Doigt de gant	Températures	
			Classe de température	Ambiante <sup>1)</sup>
$U_{\max} = 30 \text{ V}$ $P_{\max} = 2 \text{ W}$	II 2G Ex db IIC T* <sup>2)3)</sup> Gb	Non	T1 ... T4	-40 ... +85 °C [-40 ... +185 °F] -60 ... +85 °C [-76 ... +185 °F]
	II 1/2G Ex db IIC T* <sup>2)3)</sup> Ga/Gb	Oui	T1 ... T4	-40 ... +85 °C [-40 ... +185 °F] -60 ... +85 °C [-76 ... +185 °F]
	II 2G Ex db IIC T5 <sup>3)</sup> Gb	Non	T5	-40 ... +70 °C [-40 ... +158 °F] -60 ... +70 °C [-76 ... +158 °F]
	II 1/2G Ex db IIC T5 <sup>3)</sup> Ga/Gb	Oui	T5	-40 ... +70 °C [-40 ... +158 °F] -60 ... +70 °C [-76 ... +158 °F]
	II 2G Ex db IIC T6 <sup>3)</sup> Gb	Non	T6	-40 ... +55 °C [-40 ... +131 °F] -60 ... +55 °C [-76 ... +131 °F]
	II 1/2G Ex db IIC T6 <sup>3)</sup> Ga/Gb	oui	T6	-40 ... +55 °C [-40 ... +131 °F] -60 ... +55 °C [-76 ... +131 °F]

- 1) La température ambiante basse de -40 °C [-40 °F] s'applique aux types avec des boîtiers Rosemount ou Lima-therm. La température ambiante basse de -40 °C [-40 °F] ou -60 °C [-76 °F] s'applique aux types avec des boîtiers WIKA des séries 1/4000, 5/6000, 7/8000. Pour l'explication des symboles pour la plage de température basse, voir la page 66.
- 2) La classe de température dépend de la température ambiante.
- 3) Température maximale de surface ( $T_{\max}$ ) à l'extrémité du capteur ou du doigt de gant =  $T_p$  (température process) + auto-échauffement. Se référer au manuel pour la méthode de calcul.

## Exécution 3 : équipement certifié (transmetteur de terrain)

Données électriques	Marquage	Températures	
		Classe de température	Ambiante
Voir transmetteur <sup>1)</sup>	II 2G Ex db IIC T* Gb <sup>2)</sup>	Voir transmetteur <sup>1)</sup>	Voir transmetteur <sup>1)</sup>

- 1) Les paramètres pour l'équipement certifié (transmetteur de terrain) figurent dans le manuel correspondant.
- 2) Température maximale de surface ( $T_{\max}$ ) à l'extrémité du capteur ou du doigt de gant =  $T_p$  (température process) + auto-échauffement. Se référer au manuel pour la méthode de calcul.

# 1. Marquage Ex

## Série T\*12-B-\*DG (boîtier antidéflagrant et anti-poussière)

Exécution 1 : boîtier vide				
Don- nées élec- triques	Marquage	Doigt de gant	Températures	
			Classe de température	Ambiante <sup>1)</sup>
U <sub>max</sub> = 30 V	II 2G Ex db IIC T* <sup>2)3)</sup> Gb II 2D Ex tb IIIC T* <sup>3)</sup> Db	Non	T1 ... T5	-40 ... +85 °C [-40 ... +185 °F] -60 ... +85 °C [-76 ... +185 °F]
	II 1/2G Ex db IIC T* <sup>2)3)</sup> Ga/Gb II 2D Ex tb IIIC T* <sup>3)</sup> Db	Oui	T1 ... T5	-40 ... +85 °C [-40 ... +185 °F] -60 ... +85 °C [-76 ... +185 °F]
	II 2G Ex db IIC T6 <sup>3)</sup> Gb II 2D Ex tb IIIC T* <sup>3)</sup> Db	Non	T6	-40 ... +80 °C [-40 ... +176 °F] -60 ... +80 °C [-76 ... +176 °F]
	II 1/2G Ex db IIC T6 Ga/Gb II 2D Ex tb IIIC T* <sup>3)</sup> Db	Oui	T6	-40 ... +80 °C [-40 ... +176 °F] -60 ... +80 °C [-76 ... +176 °F]

- 1) La température ambiante basse de -40 °C [-40 °F] s'applique aux types avec des boîtiers Rosemount ou Limatherm. La température ambiante basse de -40 °C [-40 °F] ou -60 °C [-76 °F] s'applique aux types avec des boîtiers WIKA des séries 1/4000, 5/6000, 7/8000. Pour l'explication des symboles pour la plage de température basse, voir la page 66
- 2) La classe de température dépend de la température ambiante.
- 3) Température maximale de surface (T<sub>max</sub>) à l'extrémité du capteur ou du doigt de gant = T<sub>p</sub> (température process) + auto-échauffement. Se référer au manuel pour la méthode de calcul.

# 1. Marquage Ex

## Exécution 2 : boîtier vide + électronique

Données électriques	Marquage	Doigt de gant	Températures	
			Classe de température	Ambiante <sup>1)</sup>
$U_{\max} = 30 \text{ V}$ $P_{\max} = 2 \text{ W}$	II 2G Ex db IIC T* <sup>2)3)</sup> Gb II 2D Ex tb IIIC T* <sup>3)</sup> Db	Non	T1 ... T4	-40 ... +85 °C [-40 ... +185 °F] -60 ... +85 °C [-76 ... +185 °F]
	II 1/2G Ex db IIC T* <sup>2)</sup> Ga/Gb II 2D Ex tb IIIC T* <sup>3)</sup> Db	Oui	T1 ... T4	-40 ... +85 °C [-40 ... +185 °F] -60 ... +85 °C [-76 ... +185 °F]
	II 2G Ex db IIC T5 <sup>3)</sup> Gb II 2D Ex tb IIIC T* <sup>3)</sup> Db	Non	T5	-40 ... +70 °C [-40 ... +158 °F] -60 ... +70 °C [-76 ... +158 °F]
	II 1/2G Ex db IIC T5 Ga/Gb II 2D Ex tb IIIC T* <sup>3)</sup> Db	Oui	T5	-40 ... +70 °C [-40 ... +158 °F] -60 ... +70 °C [-76 ... +158 °F]
	II 2G Ex db IIC T6 <sup>3)</sup> Gb II 2D Ex tb IIIC T* <sup>3)</sup> Db	Non	T6	-40 ... +55 °C [-40 ... +131 °F] -60 ... +55 °C [-76 ... +131 °F]
	II 1/2G Ex db IIC T6 <sup>3)</sup> Ga/Gb II 2D Ex tb IIIC T* <sup>3)</sup> Db	oui	T6	-40 ... +55 °C [-40 ... +131 °F] -60 ... +55 °C [-76 ... +131 °F]

- 1) La température ambiante basse de -40 °C [-40 °F] s'applique aux types avec des boîtiers Rosemount ou Limatherm. La température ambiante basse de -40 °C [-40 °F] ou -60 °C [-76 °F] s'applique aux types avec des boîtiers WIKA des séries 1/4000, 5/6000, 7/8000. Pour l'explication des symboles pour la plage de température basse, voir la page 66.
- 2) La classe de température dépend de la température ambiante.
- 3) Température maximale de surface ( $T_{\max}$ ) à l'extrémité du capteur ou du doigt de gant =  $T_p$  (température process) + auto-échauffement. Se référer au manuel pour la méthode de calcul.

## Exécution 3 : équipement certifié (transmetteur de terrain)

Données électriques	Marquage	Températures	
		Classe de température	Ambiante
Voir transmetteur <sup>1)</sup>	II 2G Ex db IIC T* <sup>2)3)</sup> Gb II 2D Ex tb IIIC T* <sup>3)</sup> Db	Voir transmetteur <sup>1)</sup>	

- 1) Les paramètres pour l'équipement certifié (transmetteur de terrain) figurent dans le manuel correspondant.
- 2) La classe de température dépend de la température ambiante.
- 3) Température maximale de surface ( $T_{\max}$ ) à l'extrémité du capteur ou du doigt de gant =  $T_p$  (température process) + auto-échauffement. Se référer au manuel pour la méthode de calcul.

# 1. Marquage Ex / 2. Sécurité

Lorsqu'il y a un transmetteur intégré et/ou un afficheur, les conditions spéciales contenues dans le certificat d'examen de type (voir chapitre 4 "Conditions spécifiques d'utilisation (conditions X)") s'appliquent.

## 2. Sécurité

### 2.1 Explication des symboles



#### **DANGER !**

... indique une situation en zone explosive présentant des risques susceptibles de provoquer la mort ou des blessures graves si elle n'est pas évitée.

FR

### 2.2 Utilisation conforme à l'usage prévu

Les thermomètres de cette série conviennent à des fins de mesure de la température en zone explosive 1. Si le thermomètre est installé dans un doigt de gant, il convient à la zone 21, à la séparation entre les zones 20 et 21 ou à la séparation entre les zones 0 et 1. Etendues de mesure possibles du capteur : -196 ... +1.200 °C [-321 ... +2.192 °F]. Le choix du matériau de doigt de gant adéquat, qui dépend du fluide à mesurer, doit être effectué par l'opérateur. L'insert de mesure remplaçable, monté sur ressort, permet la combinaison avec une large gamme de têtes de raccordement.

#### **Description technique des types des séries T\*12-B-\*DB ou T\*12-B-\*DC (boîtier antidéflagrant)**

Les thermomètres électriques TR12-B-\*DB, TR12-B-\*DC (sondes à résistance) ou TC12-B-\*DB, TC12-B-\*DC (thermocouple) sont composés d'un module TR12-M-\*D\* ou TC12-M-\*D\* installé sur un boîtier certifié Ex d. Le module est composé d'un insert de mesure monté sur ressort TR12-A-\*\*\* ou TC12-A-\*\*\* installé dans une extension antidéflagrante. En combinaison avec l'extension, l'insert de mesure fonctionne comme joint antidéflagrant. L'insert de mesure des exécutions standard est interchangeable et peut être installé dans un doigt de gant.

Les exécutions selon le schéma 14207105 sont conçues pour être installées directement dans le process. L'insert de mesure de ces exécutions n'est pas interchangeable.

La partie capteur de l'insert de mesure est constituée d'un tube soudé ou d'un câble à isolation minérale. Le capteur de température est incorporé dans une poudre de céramique, une masse de scellement résistante à la chaleur, un ciment ou une pâte thermoconductrice.

Si le capteur de température est conçu comme un thermocouple mis à la terre, les fils du thermocouple sont en contact direct avec la gaine. Les types dont le diamètre est inférieur à 3 mm [0,12 in] et qui sont équipés de thermocouples mis à la terre doivent être considérés comme galvaniquement connectés au potentiel de terre.

## 2. Sécurité

Le côté du raccordement de l'insert de mesure consiste en un manchon soudé (liaison) avec les fils de raccordement connectés.

Les thermomètres de type TR12-M-\*DB, TR12-M-\*DC, TC12-M-\*DB ou TC12-M-\*DC seront installés sur un boîtier certifié Ex d et Ex t selon IECEX TUN 18.0010U ou TÜV 18 ATEX 211394 U fabriqué par WIKA appartenant à la série 1/4000, 7/8000 ou 5/6000. Le boîtier et les couvercles sont fabriqués en acier inox ou en aluminium. Le couvercle est disponible en option avec une lentille en verre (voyant).

Comme alternative, le thermomètre peut être placé dans d'autres boîtiers ou installations certifiés s'ils font partie de la "liste des instruments et des boîtiers Ex d et Ex t ATEX et IECEX WIKA" numéro d'article : 14011281.08, voir „Annexe 2 : Liste de boîtiers et d'instruments ATEX et IECEX WIKA“.

3 exécutions différentes de thermomètres de process de type T\*12-B-\*DB ou T\*12-B-\*DC sont disponibles :

- Exécution 1 : le thermomètre (module) type TR12-M-\*D\* ou TC12-M-\*D\* est placé dans un boîtier vide certifié avec le type de protection contre l'ignition "boîtier antidéflagrant". Les bornes sont installées à l'intérieur du boîtier.
- Exécution 2 : le thermomètre (module) type TR12-M-\*D\* ou TC12-M-\*D\* est placé dans un boîtier vide certifié avec le type de protection contre l'ignition "boîtier antidéflagrant". L'équipement électronique est installé dans le boîtier.
- Exécution 3 : le thermomètre (module) type TR12-M-\*D\* ou TC12-M-\*D\* est placé dans un équipement certifié (transmetteur de terrain) avec le type de protection contre l'ignition "boîtier antidéflagrant".

Les modules TR12-M-\*DB, TR12-M-\*DC, TC12-M-\*DB ou TC12-M-\*DC sont conçus pour être installés dans un boîtier certifié Ex d par l'utilisateur final. Le module est marqué sans classe de température, soit II 2G Ex db IIC Gb ou II 1/2G Ex db IIC Ga/Gb. Toutes les conditions et limitations décrites pour les exécutions 1 à 3 s'appliquent à cet équipement combiné. La responsabilité incombe à l'opérateur.

### Description technique des types des séries T\*12-B-\*DG (boîtier antidéflagrant et anti-poussière)

Les thermomètres électriques, TR12-B-\*DG (sonde à résistance) et TC12-B-\*DG (thermocouple) respectivement, sont composés d'un module TR12-M-\*D\* ou TC12-M-\*D\* installé sur un boîtier certifié Ex d et Ex t. Le module est composé d'un insert de mesure monté sur ressort TR12-A-\*\*\* ou TC12-A-\*\*\* installé dans une extension antidéflagrante. En combinaison avec l'extension, l'insert de mesure fonctionne comme joint antidéflagrant. L'insert de mesure des exécutions standard est interchangeable et peut être installé dans un doigt de gant.

Des exécutions spéciales pour installation directe dans le process, sans insert de mesure interchangeable, sont disponibles sur demande.

La partie capteur de l'insert de mesure est constituée d'un tube soudé ou d'un câble à isolation minérale. Le capteur de température est incorporé dans une poudre de céramique, une masse de scellement résistante à la chaleur, un ciment ou une pâte thermoconductrice.

Si le capteur de température est conçu comme un thermocouple mis à la terre, les fils du thermocouple sont en contact direct avec la gaine. Les types dont le diamètre est inférieur à 3 mm [0,12 in] et qui sont équipés de thermocouples mis à la terre doivent être considérés comme galvaniquement connectés au potentiel de terre.

Le côté du raccordement de l'insert de mesure consiste en un manchon soudé (liaison) avec les fils de raccordement connectés.

Les thermomètres de type TR12-M-\*DG ou TC12-M-\*DG seront installés sur un boîtier certifié Ex d et Ex t selon IECEX TUN 18.0010U ou TÜV 18 ATEX 211394 U fabriqué par WIKA appartenant à la série 1/4000, 7/8000 ou 5/6000. Le boîtier et les couvercles sont fabriqués en acier inox ou en aluminium. Le couvercle est disponible en option avec une lentille en verre (voyant).

Comme alternative, le thermomètre peut être placé dans d'autres boîtiers ou installations certifiés s'ils font partie de la "liste des instruments et des boîtiers Ex d et Ex t ATEX et IECEX WIKA" numéro d'article : 14011281.08 (se référer aux documents du fabricant pour de plus amples détails).

3 exécutions différentes de thermomètres de process de type T\*12-B-\*DG sont disponibles :

- Exécution 1 : le thermomètre (module) type TR12-M-\*D\* ou TC12-M-\*D\* est placé dans un boîtier vide certifié avec le type de protection contre l'ignition "boîtier antidéflagrant" et "protection contre l'ignition des poussières". Les bornes sont installées à l'intérieur du boîtier.
- Exécution 2 : le thermomètre (module) type TR12-M-\*D\* ou TC12-M-\*D\* est placé dans un boîtier vide certifié avec le type de protection contre l'ignition "boîtier antidéflagrant" et "protection contre l'ignition des poussières". L'équipement électronique est installé dans le boîtier.

## 2. Sécurité

- Exécution 3 : le thermomètre (module) type TR12-M-\*D\* ou TC12-M-\*D\* est placé dans un équipement certifié (transmetteur de terrain) avec le type de protection contre l'ignition "boîtier antidéflagrant" et "protection contre l'ignition des poussières".

Les modules TR12-M-\*DG ou TC12-M-\*DG sont conçus pour être installés dans un boîtier certifié Ex d et Ex t par l'utilisateur final. Le module est marqué sans classe de température, II 2G Ex db IIC et II 2D Ex tb IIIC, ou 1/2G Ex db IIC Ga/ Gb et II 2D Ex tb IIIC Db. Toutes les conditions et limitations décrites pour les exécutions 1 à 3 s'appliquent également à cet équipement combiné. La responsabilité incombe à l'opérateur.

FR

### 2.3 Responsabilité de l'opérateur

La classification des zones est une responsabilité qui incombe au gestionnaire du site et non au fabricant/fournisseur de l'équipement.

### 2.4 Qualification du personnel

Le personnel qualifié en électricité doit avoir les connaissances requises des types de protection contre l'ignition, des réglementations et dispositions concernant les équipements en zones explosives.



## 2. Sécurité

### 2.5 Etiquetage, marquages de sécurité



#### **DANGER !**

#### **Danger vital à cause du courant électrique**

Lors du contact avec des parties sous tension, il y a un danger vital direct.

- ▶ Ne pas ouvrir l'instrument tant qu'il est sous tension.



#### **ATTENTION !**

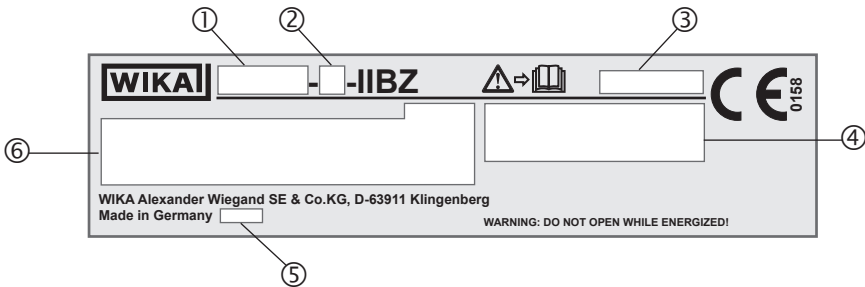
#### **Dommages matériels dus à une décharge électrostatique (ESD)**

Lors du travail sur des circuits électriques ouverts (PCBs), il y a un risque d'endommagement des composants électroniques sensibles à cause des décharges électrostatiques.

- ▶ L'utilisation correcte de surfaces de travail reliées à la terre et de brassards personnels est requise.

FR

### Plaque signalétique (exemple)



① Type

② A = Insert de mesure  
B = Thermomètre de process  
M = Module de base

③ Numéro de série

④ Données d'agrément liées

⑤ Année de fabrication

⑥ ■ Informations concernant la version (élément de mesure, étendue de mesure ...)

Capteur conforme à la norme (sonde à résistance)

- F = Résistance de mesure à couche mince
- W = Résistance de mesure bobinée

Capteur conforme à la norme (thermocouple)

- Isolé = Soudure isolée
- Non isolé = Soudé à la tige (non isolé)  
= Le thermomètre doit, en raison de ses faibles distances d'isolement entre le capteur de résistance et la gaine, être considéré comme mis à la terre.
- Quasi non isolé = Soudé à la tige (non isolé) et mis à la terre.

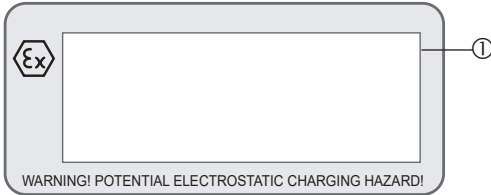
■ Type de transmetteur (uniquement pour version avec transmetteur)

## 2. Sécurité



Lire impérativement le mode d'emploi avant le montage et la mise en service de l'instrument !

### Plaque signalétique supplémentaire



① Données d'agrément liées



ATEX/IECEX : température ambiante minimale admissible -60 °C [-76 °F]  
Dans ce cas, le caractère utilisable de l'instrument est indiqué par un symbole "flocon de neige".

Des mesures de protection spéciales doivent être prises en cas d'application dans des zones où les process de chargement sont élevés ou répétés.

## 3. Mise en service, utilisation



### **DANGER !**

#### **Danger d'explosion mortelle**

Le travail en atmosphère inflammable peut donner lieu à une explosion avec risque de mort.

- ▶ Réaliser les travaux d'installation uniquement en environnements non dangereux !
- ▶ Ne pas ouvrir l'instrument tant qu'il est sous tension.



### **DANGER !**

#### **Danger d'explosion mortelle**

Si l'on utilise un insert de mesure sans tête de raccordement adéquate (boîtier), on court un risque d'explosion qui peut causer des pertes humaines.

- ▶ N'utiliser l'insert de mesure que dans la tête de raccordement prévue à cet effet.

## 3. Mise en service, utilisation



### **DANGER !**

#### **Danger d'explosion mortelle**

Le non-respect des espaces de filetage admissibles et des couples de serrage correspondants peut provoquer la perte de la protection contre les explosions.

- ▶ Veiller à ce que le nombre de filetages engagés soit conforme au chapitre 3.6 „Ecart de filetage“ et au chapitre correspondant du mode d'emploi TR12/TC12 portant le numéro d'article 14064370.

Observer les conditions spéciales, voir chapitre 4 „Conditions spécifiques d'utilisation (conditions X)“.

FR

### **3.1 Montage mécanique**

Avec les têtes de raccordement pré-installées, le raccordement fileté direct du thermomètre vers la tête de raccordement ou le boîtier ne doit pas être déformé ou ouvert. Tout alignement du boîtier peut être effectué en utilisant seulement l'extension divisible en option.

Les boîtiers de champ certifiés et homologués (exécution 3) ne doivent être montés et installés que par une personne compétente formée aux dernières évolutions technologiques.

#### **Enlèvement et installation de l'insert de mesure**

Avant d'ouvrir l'instrument, il faut l'isoler de toute tension et desserrer la vis de blocage du couvercle (voir chapitre 5.2). Durant le remplacement de l'insert de mesure, les surfaces du joint antidéflagrant ne doivent pas être endommagées. Des rayures, sillons, indentations, bosses etc. ne sont pas admissibles. Les longueurs et les largeurs du joint antidéflagrant ne doivent pas être modifiées.

Pour une description détaillée du retrait et de l'installation, voir le mode d'emploi TR12/TC12 portant le numéro d'article 14064370.

## 3. Mise en service, utilisation

### 3.2 Vis de blocage



Il faut toujours serrer la vis de blocage pour empêcher toute ouverture non-intentionnelle de la tête avec boîtier antidéflagrant.

Avant d'ouvrir la tête, il faut toujours desserrer suffisamment la vis de blocage.

FR

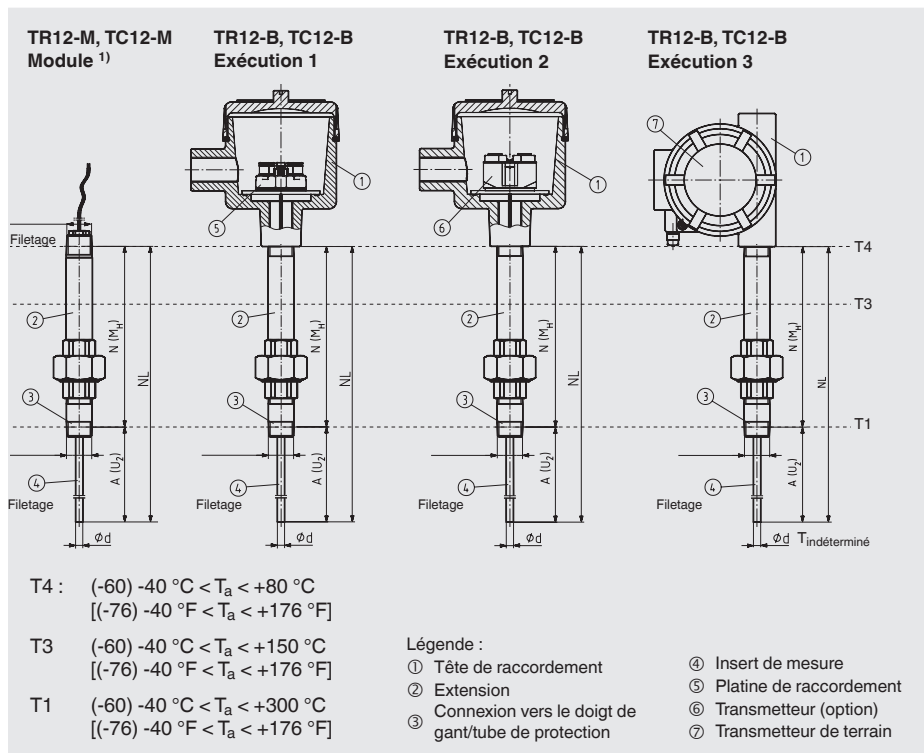
### 3.3 Montage électrique

- Pour l'installation du thermomètre, seuls les composants (par ex. câbles, presse-étoupes, etc.) autorisés pour "boîtier antidéflagrant" et, le cas échéant, "protection par boîtier" peuvent être utilisés.
- Utilisation d'un transmetteur/afficheur (option) :  
Respecter le contenu de ce mode d'emploi ainsi que celui du transmetteur/de l'affichage numérique, voir le détail de la livraison. Observer les prescriptions se rapportant à l'installation et à l'utilisation de circuits électriques, et aussi les réglementations et les directives concernant la protection contre les explosions.
- La résistance à la température des lignes de raccordement, des têtes de raccordement, des entrées de câbles et, le cas échéant, des presse-étoupes doit être au moins aussi élevée que la température ambiante maximale admissible et être au moins aussi basse que la température ambiante minimale admissible.
- Ne pas placer de batteries dans le boîtier.
- Montage dans une cuve métallique :  
Le boîtier doit être relié à la terre pour protéger l'instrument contre les champs électromagnétiques et toute charge électrostatique. Il n'a pas besoin d'être connecté séparément au système de liaison équipotentielle. Cela suffit si le doigt de gant métallique a un contact solide et sécurisé avec la cuve métallique ou ses composants structurels ou ses conduites, aussi longtemps que ces composants sont raccordés au système de liaison équipotentielle.
- Installation dans des cuves non métallique :  
Tous les composants conducteurs du thermomètre se trouvant dans la zone explosive doivent être pourvus d'une liaison équipotentielle.

14280101.02 08/2023 EN/DE/FR/ES

## 3. Mise en service, utilisation

### 3.4 Consignes de sécurité pour les différentes exécutions



FR

1) L'utilisation sans boîtier approprié n'est pas autorisée.

#### 3.4.1 Exécution 1

Le thermomètre (module) type TR12-M ou TC12-M est placé dans un boîtier vide certifié avec le type de protection contre l'ignition "boîtier antidéflagrant" et en option avec la "protection contre l'ignition des poussières". Les bornes sont installées à l'intérieur du boîtier.

L'étiquette d'identification de l'installation complète TR12-B ou TC12-B se trouve sur le boîtier ou la tête de raccordement. Le module est étiqueté comme faisant partie de TR12-B ou TC12-B et porte un numéro de série sur l'extension.

#### Exécution 1, utilisation en zone 1 ou 21

Si le thermomètre TR12-B ou TC12-B est marqué par II 2G Ex db IIC T1 ... T6 Gb, cela signifie qu'il est conçu pour une utilisation en zone 1.

Si le thermomètre TR12-B ou TC12-B est marqué par II 2G Ex db IIC T1 ... T6 Gb et II 2D Ex tb IIIC T\* Db, cela signifie qu'il est conçu pour une utilisation en zone 1 ou en zone 21.

## 3. Mise en service, utilisation

### Exécution 1, utilisation sur la partition vers la zone 0

Si le thermomètre TR12-B ou TC12-B est marqué par II 1/2G Ex db IIC T1 ... T6 Ga/Gb, cela signifie qu'il est conçu pour une utilisation avec un doigt de gant sur la partition vers la zone 0. Le boîtier antidéflagrant ou la tête de raccordement se trouve en zone 1 ou en zone 2. Le capteur est situé dans un doigt de gant qui dépasse dans la zone 0 par un raccord process.

Le thermomètre doit donc être utilisé avec un circuit de limitation de puissance.

$P_{\max}$  : 2 W

$U_{\max}$  : 30 V

Une alimentation électrique avec une limitation appropriée ou un fusible doit être installée dans le circuit d'alimentation comme méthode de limitation de l'énergie.

Une alimentation électrique avec un circuit Ex ia remplit ces conditions, mais n'est pas requise si les limites peuvent être respectées par d'autres mesures. La responsabilité incombe à l'opérateur.

Il n'y a pas de chauffage dans la tête de raccordement sur l'exécution 1. Toutefois, un reflux de chaleur inadmissible, pouvant excéder la température de fonctionnement du boîtier ou la classe de température, doit être empêché par une isolation adéquate contre la chaleur ou une extension suffisamment longue.

### 3.4.2 Exécution 2

Le thermomètre (module) TR12-M ou TC12-M est placé dans un boîtier vide certifié avec le type de protection contre l'ignition "boîtier antidéflagrant" et en option avec la "protection contre l'ignition des poussières". L'équipement électronique est installé dans le boîtier.

L'étiquette d'identification de l'installation complète TR12-B ou TC12-B se trouve sur le boîtier ou la tête de raccordement. Le module est étiqueté comme faisant partie de TR12-B ou TC12-B et porte un numéro de série sur l'extension.

### Exécution 2, utilisation en zone 1 ou 21

Si le thermomètre TR12-B ou TC12-B est marqué par II 2G Ex db IIC T1 ... T6 Gb, cela signifie qu'il est conçu pour une utilisation en zone 1.

Si le thermomètre TR12-B ou TC12-B est marqué par II 2G Ex db IIC T1 ... T6 Gb et II 2D Ex tb IIIC T\* Db, cela signifie qu'il est conçu pour une utilisation en zone 1 ou en zone 21.

### Exécution 2, utilisation sur la partition vers la zone 0

Si le thermomètre TR12-B ou TC12-B est marqué par II 1/2G Ex db IIC T1 ... T6 Ga/Gb, cela signifie qu'il est conçu pour une utilisation avec un doigt de gant sur la partition vers la zone 0.

Le boîtier antidéflagrant ou la tête de raccordement est en zone 1 ou en zone 2. Le capteur est à l'intérieur d'un doigt de gant qui s'étend jusqu'à la zone 0 par un raccord process.

### 3. Mise en service, utilisation

Le thermomètre doit donc être utilisé avec un circuit de limitation de puissance.

$P_{\max} : 2 \text{ W}$

$U_{\max} : 30 \text{ V}$

Une alimentation électrique avec une limitation appropriée ou un fusible doit être installée dans le circuit d'alimentation comme méthode de limitation de l'énergie.

Une alimentation électrique avec un circuit Ex ia remplit ces conditions, mais n'est pas requise si les limites peuvent être respectées par d'autres mesures. La responsabilité incombe à l'opérateur. WIKA recommande de réaliser la limitation de puissance par un fusible approprié dans le circuit 4 ... 20 mA du transmetteur monté en tête. En cas de défaillance du transmetteur monté en tête, le circuit sera interrompu par le déclenchement du fusible.

FR

#### **Exécution 2, exemple de calcul du fusible pour la puissance maximale au capteur de 0,8 W :**

Comme la résistance interne des thermocouples est sensiblement inférieure que la résistance thermique d'un capteur Pt100, le cas beaucoup moins avantageux pour une sonde à résistance a été calculé.

$$P_{\max} = (1,7 \times I_s)^2 \times R_w$$

$I_s$  = classe de fusible

$P_{\max}$  = puissance maximum sur le capteur = 0,8 W

$R_w$  = résistance du capteur (dépendant de la température)

à 450 °C = 264.18  $\Omega$  en accord avec la norme DIN EN 60751 pour Pt100

Ce qui a pour résultat la classe de fusible suivante :

$$I_s = \sqrt{P_{\max} / R_w} / 1,7$$

$$I_s = \sqrt{0,8 \text{ W} / 265 \Omega} / 1,7$$

$$I_s = 32,32 \text{ mA}$$

Ceci donne un courant nominal pour une liaison fusible = 32 mA

Notes pour le calcul du fusible :

La valeur suivante la plus basse de fusible, en accord avec CEI 60127, doit toujours être choisie. La capacité de casse doit être mise en accord, par une ingénierie fine, avec l'alimentation en tension. Les valeurs habituelles pour de telles liaisons de fusibles sont entre AC 20 A et AC 80 A de capacité nominale de casse.

#### **Exécution 2, exemple de calcul du fusible pour la puissance maximale au capteur de 0,5 W :**

Pour une puissance maximum au capteur de 0,5 W, on donne la valeur suivante :

$$I_s = \sqrt{0,5 \text{ W} / 265 \Omega} / 1,7$$

$$I_s = 25,55 \text{ mA}$$

Ceci donne un courant nominal pour une liaison fusible = 25 mA

Lorsqu'on utilise des capteurs multiples et un fonctionnement simultané, la somme des puissances individuelles ne doit pas excéder la valeur de la puissance maximum admissible.

## 3. Mise en service, utilisation

Résistance interne des inserts de mesure TC de Ø 6 mm [0,24 in] : environ 1,2 Ω/m

Résistance interne des inserts de mesure TC de Ø 3 mm [0,12 in] : environ 5,6 Ω/m

Ces valeurs mesurées sont valables pour la température ambiante.

### Exécution 2, accroissement de température sur la surface de la tête de raccordement

Pour toutes les têtes de raccordement WIKA avec des transmetteurs de température intégrés WIKA, l'interrelation suivante s'applique :

L'accroissement de température sur la surface de la tête de raccordement ou du boîtier est inférieure à 25 K si les conditions suivantes sont réunies : tension d'alimentation  $U_B$  maximum 30 VDC si le transmetteur est utilisé dans une limite de courant de 22,5 mA.

Un chauffage dans la tête de raccordement peut se produire avec l'exécution 2 à cause d'une électronique défectueuse. Les températures admissibles dépendent du boîtier utilisé et de tout transmetteur monté en tête posé en supplément.

Toutefois, un reflux de chaleur inadmissible du process, pouvant excéder la température de fonctionnement du transmetteur ou du boîtier, doit être empêché par une isolation adéquate contre la chaleur ou une extension suffisamment longue.

#### 5.2.1 Exécution 3

Le thermomètre (module) TR12-M ou TC12-M est placé dans un équipement certifié (transmetteur de terrain) avec le type de protection contre l'ignition "boîtier antidéflagrant" et en option avec la "protection contre l'ignition des poussières".

L'étiquette d'identification de l'installation complète TR12-B ou TC12-B se trouve sur l'extension. Le marquage d'origine du transmetteur de terrain reste inchangé.

### Exécution 3, utilisation en zone 1 ou 21

Si le thermomètre TR12-B ou TC12-B est marqué par II 2G Ex db IIC T\* Gb, cela signifie qu'il est conçu pour une utilisation en zone 1.

Si le thermomètre TR12-B ou TC12-B est marqué par II 2G Ex db IIC T\* Gb et II 2D Ex tb IIIC T\* Db, cela signifie qu'il est conçu pour une utilisation en zone 1 ou en zone 21.

### Exécution 3, utilisation sur la partition vers la zone 0

Pour toute utilisation éventuelle d'un doigt de gant sur la partition vers la zone 0, les autorisations et conditions pour les transmetteurs pertinents doivent être respectées. Seuls les transmetteurs de terrain listés par leur nom dans l'annexe ("Liste des instruments et des boîtiers Ex d et Ex t ATEX et IECEx WIKA" numéro d'article : 14011281.08) du certificat Ex d et Ex t peuvent être utilisés.

#### 3.4.3 Modules TR12-M ou TC12-M

Le module (ou thermomètre) TR12-M ou TC12-M est composé d'un insert de mesure monté sur ressort TR12-A ou TC12-A installé dans une extension antidéflagrante. En combinaison avec l'extension, l'insert de mesure fonctionne comme joint antidéflagrant.



## 3. Mise en service, utilisation

L'insert de mesure des exécutions standard est interchangeable et peut être installé dans un doigt de gant.

Les modules sont conçus pour être installés dans un boîtier certifié Ex d et, en option, Ex t par l'utilisateur final.

Seuls les transmetteurs de terrain ou boîtiers listés par leur nom dans l'annexe ("Liste des instruments et des boîtiers Ex d et Ex t ATEX et IECEx WIKA" numéro d'article<sup>o</sup>: 14011281.08) du certificat Ex d et Ex t peuvent être utilisés.

Toutes les conditions et limitations décrites pour les exécutions 1 à 3 s'appliquent également à cet équipement combiné. La responsabilité incombe à l'opérateur.

L'utilisation sans boîtier certifié ou tête de raccordement n'est pas autorisée.

Le module est marqué sans classe de température sur l'extension.

Si le module TR12-M ou TC12-M est marqué par II 2G Ex db IIC Gb, cela signifie qu'il est conçu pour une utilisation en zone 1.

Si le module TR12-M ou TC12-M est marqué par II 2G Ex db IIC et II 2D Ex tb IIC Db, cela signifie qu'il est conçu pour une utilisation en zone 1 ou en zone 21.

Si le module TR12-M ou TC12-M est marqué par II 1/2G Ex db IIC Ga/Gb, cela signifie qu'il est conçu pour une utilisation avec un doigt de gant sur la partition vers la zone 0.

### 3.4.4 Inserts de mesure TR12-A ou TC12-A

L'insert de mesure monté sur ressort TR12-A ou TC12-A est conçu pour être installé dans une extension antidéflagrante. En combinaison avec l'extension, l'insert de mesure fonctionne comme joint antidéflagrant. Il s'agit uniquement d'une pièce de rechange, qui est marquée avec un numéro de série par un repère de câble.

### 3.4.5 Test des composants

Le test des composants, tel que spécifié au point 16.1.2 de la norme CEI 60079-1:2014, peut être omis étant donné que le test de surpression conformément au point 15.2.3.2 de la norme susmentionnée a été effectué avec succès à une pression de 150 bar [2.175 psi] (4 fois la pression de référence de 37,5 bar [543 psi]). La stabilité mécanique est assurée par un contrôle de la qualité.

### 3.4.6 Utilisation dans les atmosphères contenant du méthane

De par l'Interstice expérimental minimal de sécurité (MESG) et le Courant minimum d'allumage (MIC) de méthane, les instruments peuvent également être utilisés dans des atmosphères gazeuses dangereuses causées par ceci.

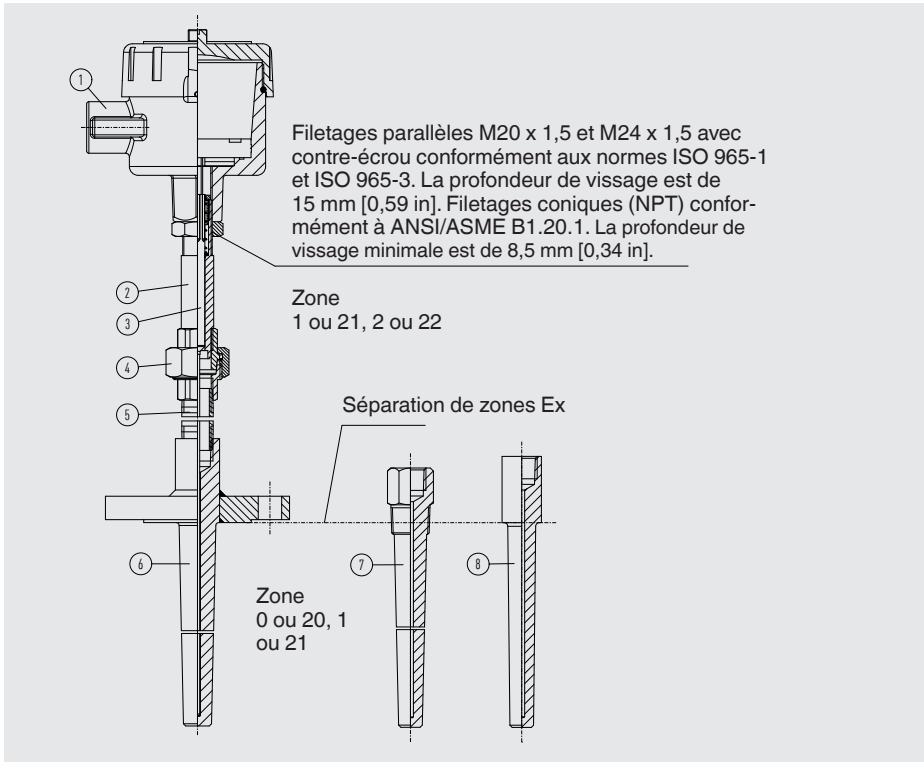
### 3.4.7 Exigences relatives au doigt de gant ou à la paroi de séparation

Le doigt de gant doit être constitué d'acier résistant à la corrosion avec une épaisseur de paroi minimale de 1 mm [0,04 in] ou d'un autre type de métal avec une épaisseur de paroi minimale de 3 mm [0,12 in]. Tous les métaux ayant une résistance à la pression d'au moins 70 MPa ou 700 bar [10.153 psi] sont acceptables. L'équipement doit être conçu de manière à permettre une installation aboutissant à un joint suffisamment étanche (IP66 ou IP67 selon EN/CEI 60529) ou à un joint antidéflagrant selon EN/CEI 60079-1 (joints spécifiés pour un volume  $\leq 100 \text{ cm}^3$ ) entre une zone explosive et une autre.

FR

## 3. Mise en service, utilisation

### 3.5 Vue générale des zones de température



- ① Tête de raccordement
- ② Extension
- ③ Insert de mesure
- ④ Raccord fileté séparable (exemple)
- ⑤ Tubulure à souder pour tuyauterie (exemple)
- ⑥ Doigt de gant avec bride (exemple)
- ⑦ Doigt de gant avec filetage d'installation (exemple)
- ⑧ Doigt de gant à souder (exemple)

#### Exigences concernant le doigt de gant :

Le doigt de gant doit être constitué d'acier résistant à la corrosion avec une épaisseur de paroi minimale de 1 mm [0,04 in] ou d'un autre type de métal avec une épaisseur de paroi minimale de 3 mm [0,12 in]. Tous les métaux ayant une limite d'élasticité d'au moins 70 MPa ou 689.46 bar [10.000 psi] sont admissibles.

## 3. Mise en service, utilisation

### 3.6 Ecart de filetage

Pour l'installation, les écarts de filetage autorisés suivants pour l'équipement électrique dans des zones explosives de gaz doivent être maintenus :

- Ecart de filetage pour filetages parallèles (CEI/EN 60079-1, tableau 4) :  
Volume du boîtier  $< 100 \text{ cm}^3$  :  $\geq 5 \text{ mm}$  [0,20 in]  
Volume du boîtier  $> 100 \text{ cm}^3$  :  $\geq 8 \text{ mm}$  [0,32 in]  
Il doit y avoir au moins 5 filetages engagés
  
- Ecart de filetage pour filetages coniques (CEI/EN 60079-1, tableau 5) :  
Sur chaque composant  $\geq 5$   
Il doit y avoir au moins 4,5 filetages engagés

FR

## 4. Conditions spécifiques pour l'utilisation (conditions X)

### 4. Conditions spécifiques d'utilisation (conditions X)

- 1) Les thermomètres certifiés de type T\*12-\* doivent uniquement être installés sur des boîtiers certifiés qui sont listés dans l'annexe „Liste de boîtiers et d'instruments Ex d ATEX WIKA“, numéro d'article : 14011281.08.
- 2) Lors de l'utilisation du thermomètre dans une zone 0, un doigt de gant supplémentaire doit séparer le thermomètre du fluide à mesurer. Le doigt de gant doit être constitué d'acier résistant à la corrosion avec une épaisseur de paroi minimale de 1 mm ou d'un autre métal avec une épaisseur de paroi minimale de 3 mm. Tout métal ayant une limite d'élasticité supérieure ou égale à 70 MPa ou 10.000 PSI est acceptable. Le thermomètre doit être utilisé avec un circuit de limitation de puissance. Une alimentation électrique avec une limitation appropriée ou un fusible doit être installée dans le circuit d'alimentation comme méthode de limitation de l'énergie. Le dimensionnement du fusible dépend de la classe de température, de la température du process et de la tension d'alimentation (exemples de calculs dans le mode d'emploi).
- 3) Pour les installations en zone 1 ou en zone 21, les calculs de la classe de température limite ou de la température de surface, de la température du process et de la tension d'alimentation doivent également être effectués, mais sans les exigences relatives au fusible de limitation (voir instructions).
- 4) Il faut empêcher un apport de chaleur inadmissible en provenance du process, par exemple avec une isolation thermique ou une extension.  
Un reflux de chaleur inadmissible se produit si l'apport de chaleur du process dépasse la température de fonctionnement du boîtier ou la classe de température.
- 5) Les longueurs des joints antidéflagrants de cet équipement sont parfois supérieures et les largeurs des joints antidéflagrants sont parfois inférieures à ce qui est requis dans le tableau 3 de la norme EN 60079-1:2014
- 6) Les exigences/conditions ou instructions d'utilisation figurant dans les certificats de chaque instrument (transmetteur) et de chaque boîtier doivent être respectées.
- 7) Le thermomètre ne peut être utilisé que dans des zones où des process de chargement élevés ou répétés sont exclus de manière fiable du fait des conditions locales ou de l'installation protégée pour la plaque signalétique.

### 5. Exemples de calculs pour auto-échauffement à l'extrémité du doigt de gant

L'auto-échauffement à l'extrémité du doigt de gant dépend du type de capteur (TC/RTD), du diamètre de l'insert de mesure et de l'exécution du doigt de gant. Le tableau ci-dessous montre les combinaisons possibles. Le chauffage à l'extrémité du capteur de l'insert de mesure est nettement supérieur, la représentation de ces valeurs a été omise en raison de l'installation requise avec un doigt de gant. Le tableau montre que les thermocouples génèrent un auto-échauffement sensiblement inférieur à celui des sondes à résistance.

FR

#### 5.1 Exemple de calcul pour l'exécution 2 avec capteur RTD

- Utilisation sur la partition vers la zone 0, marquage II 1/2G Ex db IIC T1 ... T6 Ga/Gb circuit à puissance limitée par un fusible, avec 32 mA.

Calculer la température admissible maximale  $T_{\max}$  à l'extrémité du doigt de gant pour la combinaison suivante :

- ▶ Insert de mesure RTD d'un diamètre de 6 mm [0,24 in] avec un transmetteur monté en tête, installé dans un doigt de gant à corps solide.

$T_{\max}$  est obtenue par l'addition de la température du fluide et de l'auto-échauffement. L'auto-échauffement dépend de la puissance alimentée  $P_o$  et de la résistance thermique  $R_{th}$ . La puissance alimentée calculée,  $P_o$ , provient de la valeur standard pour le fusible et n'est réalisée qu'à l'extrémité du capteur.

Pour le calcul, on utilise la formule suivante :  $T_{\max} = P_o * R_{th} + T_P$

$T_{\max}$  = Température de surface (température maximale à l'extrémité du doigt de gant)

$P_o$  = 0,8 W (fusible avec 32 mA, un court-circuit complet du transmetteur est assumé)

$R_{th}$  = Résistance thermique [K/W]

$T_P$  = Température process

#### Exemple

Sonde à résistance RTD

Diamètre : 6 mm [0,24 in]

Température du fluide :  $T_P = 150 \text{ °C}$  [302 °F]

Puissance alimentée :  $P_o = 0,8 \text{ W}$

La classe de température T3 (200 °C [392 °F]) ne doit pas être dépassée

Résistance thermique [ $R_{th}$  en K/W] du tableau = 16 K/W

Auto-échauffement :  $0,8 \text{ W} * 16 \text{ K/W} = 12,8 \text{ K}$

$T_{\max} = T_P + \text{auto-échauffement} : 150 \text{ °C} + 12,8 \text{ °C} = 162,8 \text{ °C}$  [325 °F]

Comme marge de sécurité pour des instruments certifiés (pour T6 à T3), 5 °C [41 °F] supplémentaires doivent être déduits des 200 °C [392 °F] ; 195 °C [383 °F] seraient donc acceptables. Cela signifie que, dans ce cas, la classe de température T3 n'est pas dépassée.

## 5. Exemples de calcul de l'auto-échauffement à ...

### Informations complémentaires :

Classe de température pour T3 = 200 °C [392 °F]

Marge de sécurité pour les appareils avec attestation d'examen (pour T3 à T6) <sup>1)</sup> = 5 K

Marge de sécurité pour les appareils avec attestation d'examen (pour T1 à T2) <sup>1)</sup> = 10 K

La marge de sécurité pour les applications de la catégorie d'équipements 1 (zone 0) <sup>2)</sup> = 80 % ne s'applique pas ici

1) EN 60079-0:2018 section 26.5.1.3

2) EN 1127-1 : 2019 section 6.4.2

### 5.2 Exemple de calcul pour l'exécution 2 avec capteur TC

Dans les mêmes conditions, la valeur est inférieure pour l'auto-échauffement parce que la puissance alimentée n'est pas convertie seulement à l'extrémité du capteur, mais plutôt sur toute la longueur de l'insert de mesure.

Résistance thermique [ $R_{th}$  en K/W] du tableau = 1 K/W

Auto-échauffement :  $0,8 \text{ W} * 1 \text{ K/W} = 0,8 \text{ K}$

$T_{max} = T_P + \text{auto-échauffement} : 150 \text{ °C} + 0,8 \text{ °C} = 150,8 \text{ °C} [303 \text{ °F}]$

Comme marge de sécurité pour des instruments certifiés (pour T6 à T3), 5 °C [41 °F] supplémentaires doivent être déduits des 200 °C [392 °F] ; 195 °C [383 °F] seraient donc acceptables. Cela signifie que, dans ce cas, la classe de température T3 n'est pas dépassée.

Il est évident dans cet exemple que l'auto-échauffement ici est presque négligeable.



## EU-Konformitätserklärung EU Declaration of Conformity

**Dokument Nr.:**  
**Document No.:** 14031790.05

Wir erklären in alleiniger Verantwortung, dass die mit CE gekennzeichneten Produkte  
*We declare under our sole responsibility that the CE marked products*

**Typenbezeichnung:** TR12-B-ZZZ, TR12-M-ZZZ, TR12-A-ZZZ;  
**Type Designation:** TC12-B-ZZZ, TC12-M-ZZZ, TC12-A-ZZZ;  
TR12-B-<sup>a</sup>[(1, 2, 4)], TR12-M-<sup>a</sup>[(1, 2, 4)], TR12-A-<sup>a</sup>[(1, 2, 4)];  
TC12-B-<sup>a</sup>[(1, 2, 4)], TC12-M-<sup>a</sup>[(1, 2, 4)], TC12-A-<sup>a</sup>[(1, 2, 4)];  
TR12-B-<sup>D</sup>[(1, 3)], TR12-M-<sup>D</sup>[(1, 3)], TC12-B-<sup>D</sup>[(1, 3)], TC12-M-<sup>D</sup>[(1, 3)];

**Beschreibung:** Prozessthermometer Typ TR12 und TC12 zum Einbau in ein Schutzrohr  
**Description:** Process thermometer model TR12 and TC12 for additional thermowell

gemäß gültigem Datenblatt:  
*according to the valid data sheet:* TE 60.16, TE 60.17, TE 65.16, TE 65.17

mit den nachfolgenden relevanten Harmonisierungsvorschriften der Union  
übereinstimmen:  
*are in conformity with the following relevant Union harmonization  
legislation:*

Angewandte harmonisierte Normen:  
*Applied harmonised standards:*

2011/65/EU	Gefährliche Stoffe (RoHS) <i>Hazardous substances (RoHS)</i>	EN IEC 63000:2018
2014/30/EU	Elektromagnetische Verträglichkeit (EMV) <i>Electromagnetic Compatibility (EMC)</i>	EN 61326-1:2013 <sup>(5)</sup> EN 61326-2-3:2013 <sup>(5)</sup>
2014/34/EU	Explosionsschutz (ATEX) <sup>(1, 2, 3, 4)</sup> <i>Explosion protection (ATEX)</i> <sup>(1, 2, 3, 4)</sup>	Refer to annex

- (1) Die folgenden Buchstaben für die Ex-Zertifizierung ersetzen den Platzhalter \*:  
A, B, C, D, E, F, G, H, I, J, K, L, M, O, P, Q, R, S, T, U, V, W, X, Y  
*The following letters for the Ex certification replace the placeholder \*:  
A, B, C, D, E, F, G, H, I, J, K, L, M, O, P, Q, R, S, T, U, V, W, X, Y*
- (2) EG-Baumusterprüfbescheinigung TÜV 10 ATEX 555793 X von TÜV NORD CERT GmbH (Reg.-Nr. 0044)  
*EU type-examination certificate TÜV 10 ATEX 555793 X of TÜV NORD CERT GmbH (Reg. no. 0044)*
- (3) EU-Baumusterprüfbescheinigung BVS 07 ATEX E 071 X von DEKRA Testing and Certification GmbH (Reg. Nr. 0158)  
*EU type examination certificate BVS 07 ATEX E 071 X of DEKRA Testing and Certification GmbH (Reg. No. 0158)*
- (4) Modul A, interne Fertigungskontrolle  
*Module A, internal control of production*
- (5) Gilt nur mit eingebautem WIKA Transmitter. Werden Transmitter von anderen Herstellern verwendet, können diese anderen Normen entsprechen. Es sind dann die mitgelieferten Anleitungen und EU-Konformitätserklärungen dieser Transmitter zu beachten.  
*Applies only to built-in WIKA transmitter. When using transmitters of other manufacturers, other standards may apply.  
The instructions and EU Declarations of Conformity supplied with these transmitters must then be observed.*

Unterzeichnet für und im Namen von / *Signed for and on behalf of*

**WIKAL Alexander Wiegand SE & Co. KG**  
Klingenberg, 2022-11-02

Stefan Heidinger, Vice President  
Electrical Temperature Measurement

WIKAL Alexander Wiegand SE & Co. KG  
Alexander-Wiegand-Straße 30  
63911 Klingenberg  
Germany  
WEEE-Reg.-Nr. DE 92770372

Tel: +49 9372 132-0  
Fax: +49 9372 132-406  
E-Mail: info@wika.de  
www.wika.de

Kommanditgesellschaft, Sitz Klingenberg –  
Amtsgericht Aschaffenburg HRA 1919

Roland Stapf, Head of Quality Management  
Process Instrumentation Corporate Quality

Komplementar:  
WIKAL International SE - Sitz Klingenberg -  
Amtsgericht Aschaffenburg HRB 10505  
Vorstand: Alexander Wiegand  
Vorsitzender des Aufsichtsrats: Prof. Dr. Roderich C. Thümmel  
19AR-03458

## Annexe 2 : Liste de boîtiers et d'instruments ATEX et IECEx WIKA

The flameproof thermometers type Tx12-B, Tx12-M, Tx12-A<sup>1</sup> must be operated only mounted to the following certified flameproof enclosure/devices with a free volume of less or equal than 2 dm<sup>3</sup>.

The enclosure/device has a protection class of IP65 as a minimum. Entries for flameproof enclosures: Internal metric threads with a tolerance class of 6H or better according to ISO 965-1 and ISO 965-3 or internal NPT threads in accordance with ANSI/ASME B1.20.1.

No.	Variants			Manufacturer	Model name	EC-Type Examination Certificate	IECEx Certificate of Conformity
1	1	2		WIKA	1/4000, 5/6000, 7/8000	TÜV 18 ATEX 211394 U	IECEx TUN 18.0010U
2			3	WIKA	DIH**-F, TIF**-F	BVS 10 ATEX E 158	IECEx BVS 10.0103
3			3	Yokogawa	YTA series	KEMA 07ATEX0130 X	IECEx KEM 07.0044X
4			3	Rosemount	644	DEKRA 19ATEX0076X	IECEx FMG 12.0022X
5			3	Rosemount	3144P	DEKRA 19ATEX0076X	IECEx FMG 12.0022X
6	1	2		Rosemount	Connection Head	Baseefa14ATEX0228U	IECEx BAS 14.0106U
7			3	ABB	TTF300	PTB 99 ATEX 1144	IECEx PTB 12.0039
8	1	2		Limatherm	XD-ID100 series	FTZU 04 ATEX 0332 U	IECEx FTZU 10.0019U
9	1	2		Limatherm	XD-A series	FTZU 03 ATEX 0074 U	IECEx FTZU 14.0003U
10	1	2		Limatherm	XD-S series	FTZU 14 ATEX 0004 U	IECEx FTZU 17.0008U

FR



# Contenido

<b>1. Marcaje Ex</b>	<b>82</b>
<b>2. Seguridad</b>	<b>87</b>
<b>3. Puesta en servicio, funcionamiento</b>	<b>92</b>
<b>4. Condiciones especiales para la utilización (X-Conditions)</b>	<b>102</b>
<b>5. Ejemplos de cálculo para el calentamiento propio en la punta de la vaina</b>	<b>103</b>
<b>Anexo 1: Declaración de conformidad UE</b>	<b>105</b>
<b>Anexo 2: Lista de cajas e instrumentos ATEX e IECEx de WIKA</b>	<b>106</b>

ES

# 1. Marcaje Ex

## Documentación complementaria:

- ▶ Esta información adicional para zonas potencialmente explosivas forma parte del manual de instrucciones “Termorresistencias TR12 y termopares TC12” (código 14064370).

# 1. Marcaje Ex



## ¡PELIGRO!

### Peligro de muerte por explosión

La inobservancia del contenido y de las instrucciones puede originar la pérdida de la protección contra explosiones.

- ▶ Observe las instrucciones de seguridad en este capítulo y otros avisos sobre peligros de explosión en este manual de instrucciones.
- ▶ Cumplir con los requisitos de la directiva ATEX.
- ▶ Cumplir con las regulaciones indicadas en el certificado de examen de tipo y los correspondientes reglamentos nacionales para la instalación y uso en zonas potencialmente explosivas (p. ej. EN IEC 60079-0, IEC 60079-1 y IEC 60079-10 y IEC 60079-14).

Compruebe idoneidad de la clasificación para la aplicación. Tenga en consideración las respectivas leyes y reglamentos nacionales.

ES

# 1. Marcaje Ex

## Serie T\*12-B-\*DB o T\*12-B-\*DC (protección antideflagrante)

Variante 1: Caja vacía				
Datos eléctricos	Marcado	Vaina de barra	Temperaturas	
			Clase de temperatura	Ambiente <sup>1)</sup>
U <sub>max</sub> = 30 V	II 2G Ex db IIC T* 2) 3) Gb	No	T1 ... T5	-40 ... +85 °C [-40 ... +185 °F] -60 ... +85 °C [-76 ... +185 °F]
	II 1/2G Ex db IIC T* 2) 3) Ga/Gb	Sí	T1 ... T5	-40 ... +85 °C [-40 ... +185 °F] -60 ... +85 °C [-76 ... +185 °F]
	II 2G Ex db IIC T6 3) Gb	No	T6	-40 ... +80 °C [-40 ... +176 °F] -60 ... +80 °C [-76 ... +176 °F]
	II 1/2G Ex db IIC T6 3) Ga/Gb	Sí	T6	-40 ... +80 °C [-40 ... +176 °F] -60 ... +80 °C [-76 ... +176 °F]

- 1) La temperatura ambiente baja de -40 °C [-40 °F] se aplica a los modelos con cajas Rosemount o Limatherm. La temperatura ambiente baja de -40 °C [-40 °F] o -60 °C [-76 °F] se aplica a los modelos con cajas WIKA de las series 1/4000, 5/6000, 7/8000. Para la explicación de símbolos para la gama de baja temperatura, véase página 66.
- 2) La clase de temperatura depende del rango de temperaturas ambiente.
- 3) La temperatura superficial máxima (T<sub>máx</sub>) en la punta de la sonda o de la vaina = T<sub>p</sub> (temperatura de proceso) + autocalentamiento. Consulte el método de cálculo en el manual.

# 1. Marcaje Ex

## Variante 2: caja vacía + electrónica

Datos eléctricos	Marcado	Vaina de barra	Temperaturas	
			Clase de temperatura	Ambiente <sup>1)</sup>
U <sub>max</sub> = 30 V P <sub>max</sub> = 2 W	II 2G Ex db IIC T* <sup>2)3)</sup> Gb	No	T1 ... T4	-40 ... +85 °C [-40 ... +185 °F] -60 ... +85 °C [-76 ... +185 °F]
	II 1/2G Ex db IIC T* <sup>2)3)</sup> Ga/Gb	Sí	T1 ... T4	-40 ... +85 °C [-40 ... +185 °F] -60 ... +85 °C [-76 ... +185 °F]
	II 2G Ex db IIC T5 <sup>3)</sup> Gb	No	T5	-40 ... +70 °C [-40 ... +158 °F] -60 ... +70 °C [-76 ... +158 °F]
	II 1/2G Ex db IIC T5 <sup>3)</sup> Ga/Gb	Sí	T5	-40 ... +70 °C [-40 ... +158 °F] -60 ... +70 °C [-76 ... +158 °F]
	II 2G Ex db IIC T6 <sup>3)</sup> Gb	No	T6	-40 ... +55 °C [-40 ... +131 °F] -60 ... +55 °C [-76 ... +131 °F]
	II 1/2G Ex db IIC T6 <sup>3)</sup> Ga/Gb	sí	T6	-40 ... +55 °C [-40 ... +131 °F] -60 ... +55 °C [-76 ... +131 °F]

- 1) La temperatura ambiente baja de -40 °C [-40 °F] se aplica a los modelos con cajas Rosemount o Limatherm. La temperatura ambiente baja de -40 °C [-40 °F] o -60 °C [-76 °F] se aplica a los modelos con cajas WIKA de las series 1/4000, 5/6000, 7/8000. Para la explicación de símbolos para la gama de baja temperatura, véase página 66.
- 2) La clase de temperatura depende del rango de temperaturas ambiente.
- 3) La temperatura superficial máxima (T<sub>máx</sub>) en la punta de la sonda o de la vaina = T<sub>p</sub> (temperatura de proceso) + autocalentamiento. Consulte el método de cálculo en el manual.

## Variante 3: equipo certificado (transmisor de campo)

Datos eléctricos	Marcado	Temperaturas	
		Clase de temperatura	Ambiente
Ver transmisor <sup>1)</sup>	II 2G Ex db IIC T* Gb <sup>2)</sup>	Ver transmisor <sup>1)</sup>	Ver transmisor <sup>1)</sup>

- 1) Los parámetros de los equipos certificados (transmisor de campo) deben tomarse del manual correspondiente.
- 2) La temperatura superficial máxima (T<sub>máx</sub>) en la punta de la sonda o de la vaina = T<sub>p</sub> (temperatura de proceso) + autocalentamiento. Consulte el método de cálculo en el manual.

# 1. Marcaje Ex

## Serie T\*12-B-\*DG (protección antideflagrante y antipolvo)

Variante 1: Caja vacía				
Datos eléctricos	Marcado	Vaina de barra	Temperaturas	
			Clase de temperatura	Ambiente <sup>1)</sup>
U <sub>max</sub> = 30 V	II 2G Ex db IIC T* <sup>2)3)</sup> Gb II 2D Ex tb IIIC T* <sup>3)</sup> Db	No	T1 ... T5	-40 ... +85 °C [-40 ... +185 °F] -60 ... +85 °C [-76 ... +185 °F]
	II 1/2G Ex db IIC T* <sup>2)3)</sup> Ga/Gb II 2D Ex tb IIIC T* <sup>3)</sup> Db	Sí	T1 ... T5	-40 ... +85 °C [-40 ... +185 °F] -60 ... +85 °C [-76 ... +185 °F]
	II 2G Ex db IIC T6 <sup>3)</sup> Gb II 2D Ex tb IIIC T* <sup>3)</sup> Db	No	T6	-40 ... +80 °C [-40 ... +176 °F] -60 ... +80 °C [-76 ... +176 °F]
	II 1/2G Ex db IIC T6 Ga/Gb II 2D Ex tb IIIC T* <sup>3)</sup> Db	Sí	T6	-40 ... +80 °C [-40 ... +176 °F] -60 ... +80 °C [-76 ... +176 °F]

ES

- 1) La temperatura ambiente baja de -40 °C [-40 °F] se aplica a los modelos con cajas Rosemount o Limatherm. La temperatura ambiente baja de -40 °C [-40 °F] o -60 °C [-76 °F] se aplica a los modelos con cajas WIKA de las series 1/4000, 5/6000, 7/8000. Para la explicación de símbolos para la gama de baja temperatura, véase la página .66
- 2) La clase de temperatura depende del rango de temperaturas ambiente.
- 3) La temperatura superficial máxima (T<sub>máx</sub>) en la punta de la sonda o de la vaina = T<sub>p</sub> (temperatura de proceso) + autocalentamiento. Consulte el método de cálculo en el manual.

# 1. Marcaje Ex

## Variante 2: caja vacía + electrónica

Datos eléctricos	Marcado	Vaina de barra	Temperaturas	
			Clase de temperatura	Ambiente <sup>1)</sup>
$U_{\max} = 30 \text{ V}$ $P_{\max} = 2 \text{ W}$	II 2G Ex db IIC T* <sup>2)3)</sup> Gb II 2D Ex tb IIIC T* <sup>3)</sup> Db	No	T1 ... T4	-40 ... +85 °C [-40 ... +185 °F] -60 ... +85 °C [-76 ... +185 °F]
	II 1/2G Ex db IIC T* <sup>2)</sup> Ga/Gb II 2D Ex tb IIIC T* <sup>3)</sup> Db	Sí	T1 ... T4	-40 ... +85 °C [-40 ... +185 °F] -60 ... +85 °C [-76 ... +185 °F]
	II 2G Ex db IIC T5 <sup>3)</sup> Gb II 2D Ex tb IIIC T* <sup>3)</sup> Db	No	T5	-40 ... +70 °C [-40 ... +158 °F] -60 ... +70 °C [-76 ... +158 °F]
	II 1/2G Ex db IIC T5 Ga/Gb II 2D Ex tb IIIC T* <sup>3)</sup> Db	Sí	T5	-40 ... +70 °C [-40 ... +158 °F] -60 ... +70 °C [-76 ... +158 °F]
	II 2G Ex db IIC T6 <sup>3)</sup> Gb II 2D Ex tb IIIC T* <sup>3)</sup> Db	No	T6	-40 ... +55 °C [-40 ... +131 °F] -60 ... +55 °C [-76 ... +131 °F]
	II 1/2G Ex db IIC T6 <sup>3)</sup> Ga/Gb II 2D Ex tb IIIC T* <sup>3)</sup> Db	sí	T6	-40 ... +55 °C [-40 ... +131 °F] -60 ... +55 °C [-76 ... +131 °F]

- 1) La temperatura ambiente baja de -40 °C [-40 °F] se aplica a los modelos con cajas Rosemount o Limatherm. La temperatura ambiente baja de -40 °C [-40 °F] o -60 °C [-76 °F] se aplica a los modelos con cajas WIKA de las series 1/4000, 5/6000, 7/8000. Para la explicación de símbolos para la gama de baja temperatura, véase página .66
- 2) La clase de temperatura depende del rango de temperaturas ambiente.
- 3) La temperatura superficial máxima ( $T_{\max}$ ) en la punta de la sonda o de la vaina =  $T_p$  (temperatura de proceso) + autocalentamiento. Consulte el método de cálculo en el manual.

## Variante 3: equipo certificado (transmisor de campo)

Datos eléctricos	Marcado	Temperaturas	
		Clase de temperatura	Ambiente
Ver transmisor <sup>1)</sup>	II 2G Ex db IIC T* <sup>2)3)</sup> Gb II 2D Ex tb IIIC T* <sup>3)</sup> Db	Ver transmisor <sup>1)</sup>	Ver transmisor <sup>1)</sup>

- 1) Los parámetros de los equipos certificados (transmisor de campo) deben tomarse del manual correspondiente.
- 2) La clase de temperatura depende del rango de temperaturas ambiente.
- 3) La temperatura superficial máxima ( $T_{\max}$ ) en la punta de la sonda o de la vaina =  $T_p$  (temperatura de proceso) + autocalentamiento. Consulte el método de cálculo en el manual.

# 1. Marcaje Ex / 2. Seguridad

Para el montaje de un transmisor y/o un indicador digital rigen las condiciones especiales del certificado de examen de tipo (véase el capítulo 4 "Condiciones especiales para la utilización (X-Conditions)").

## 2. Seguridad

### 2.1 Explicación de símbolos



#### ¡PELIGRO!

... señala una situación de peligro potencial en la zona potencialmente explosiva, lo que puede provocar la muerte o lesiones graves si no se evita.

### 2.2 Uso conforme a lo previsto

Los termómetros de esta serie son adecuados para medir la temperatura en áreas peligrosas de la zona 1. Si el termómetro se instala en una vaina, es adecuado para la zona 21, para la separación de zonas entre las zonas 20 y 21 o la separación de zonas entre las zonas 0 y 1. Posibles rangos de medición del sensor: -196 ... +1.200 °C [-321 ... +2.192 °F]. Es responsabilidad de la empresa operadora asegurarse de que el material de la vaina de barra es el adecuado para el medio que se va a medir. La unidad extraíble intercambiable, fijada en posición céntrica con muelle con trayecto de muelle extendido, permite la combinación con las más diversas variantes de cabezales.

#### Descripción técnica de los modelos de la serie T\*12-B-\*DB o T\*12-B-\*DC (protección antideflagrante)

Los termómetros eléctricos TR12-B-\*DB, TR12-B-\*DC (termorresistencias) respectivamente TC12-B-\*DB, TC12-B-\*DC (termopar) se componen de un módulo TR12-M-\*D\* o TC12-M-\*D\* que se monta en una caja certificada Ex d. El módulo consta de un inserto de medición accionado por resorte TR12-A-\*\*\* o TC12-A-\*\*\* instalado en un tubo de cuello antideflagrante. El inserto de medición en combinación con el tubo del cuello funciona como una junta antideflagrante. El inserto de medición de las variantes estándar es intercambiable y adecuado para encajar en una vaina. Las variantes según el dibujo 14207105 están diseñadas para instalarse directamente en el proceso. El inserto de medición de estas variantes no es intercambiable.

La parte de la sonda del inserto de medición está formada por un tubo soldado o un cable con aislamiento mineral. El sensor de temperatura está compactado en un polvo de cerámica, una masa de relleno resistente a la temperatura, una masa de cemento o una pasta térmica.

Si el sensor de temperatura está diseñado como termopar conectado a tierra, los hilos del termopar están en contacto directo con la vaina. Los modelos con diámetros inferiores a 3 mm [0,12 pulg], así como los termopares conectados a tierra, se considerarán conectados galvánicamente al potencial de tierra.

## 2. Seguridad

El lado de conexión del inserto de medición consiste en un manguito soldado (transición) que incluye los cables de conexión conectados.

Los termómetros modelo TR12-M-\*DB, TR12-M-\*DC, TC12-M-\*DB o TC12-M-\*DC se instalarán en una caja certificada Ex d y Ex t conforme a IECEx TUN 18.0010U o TÜV 18 ATEX 211394 U fabricados por WIKA series 1/4000, 7/8000 o 5/6000. La caja y las tapas son de acero inoxidable o aluminio. Opcionalmente, la tapa puede estar provista de una lente de cristal (mirilla).

Como alternativa, los termómetros pueden montarse en otras cajas o conjuntos certificados, siempre que figuren en la "Lista de cajas e instrumentos ATEX y IECEx Ex d y Ex t de WIKA" nº de artículo: 14011281.08 ,véase „Anexo 2: Lista de cajas e instrumentos ATEX e IECEx de WIKA“.

ES

Hay disponibles 3 variantes diferentes de termómetros de proceso modelo T\*12-B-\*DB o T\*12-B-\*DC:

- Variante 1: El termómetro (módulo) modelo TR12-M-\*D\* o TC12-M-\*D\* se monta en una caja vacía certificada en el tipo de protección contra ignición "protección antideflagrante". Los terminales están montados dentro de la caja.
- Variante 2: El termómetro (módulo) modelo TR12-M-\*D\* o TC12-M-\*D\* se monta en una caja vacía certificada en el tipo de protección contra ignición "protección antideflagrante". El equipo electrónico está montado dentro de la caja.
- Variante 3: El termómetro (módulo) modelo TR12-M-\*D\* o TC12-M-\*D\* se monta en un equipo certificado (transmisor de campo) en el tipo de protección contra ignición "envolvente antideflagrante".

Los módulos TR12-M-\*DB, TR12-M-\*DC, TC12-M-\*DB o TC12-M-\*DC están diseñados para que el usuario final los instale en una caja con certificación Ex d. El módulo está marcado sin clase de temperatura, ya sea II 2G Ex db IIC Gb o II 1/2G Ex db IIC Ga/Gb. Todas las condiciones y limitaciones descritas para las variantes 1 a 3 se aplican a este equipo combinado. La empresa operadora asume la responsabilidad sobre ello.



## 2. Seguridad

### Descripción técnica de los modelos de la serie T\*12-B-\*DG (protección antideflagrante y antipolvo)

Los termómetros eléctricos, TR12-B-\*DG (termorresistencia) y TC12-B-\*DG (termopar) respectivamente, se fabrican a partir de un módulo TR12-M-\*D\* o TC12-M-\*D\* que se monta en una caja certificada Ex d y Ex t. El módulo consta de un inserto de medición accionado por resorte TR12-A-\*\*\* o TC12-A-\*\*\* instalado en un tubo de cuello antideflagrante. El inserto de medición en combinación con el tubo del cuello funciona como una junta antideflagrante. El inserto de medición de las variantes estándar es intercambiable y adecuado para encajar en una vaina.

Las variantes especiales para instalación directa en el proceso, sin inserto de medición intercambiable, están disponibles bajo pedido.

La parte de la sonda del inserto de medición está formada por un tubo soldado o un cable con aislamiento mineral. El sensor de temperatura está compactado en un polvo de cerámica, una masa de relleno resistente a la temperatura, una masa de cemento o una pasta térmica.

Si el sensor de temperatura está diseñado como termopar conectado a tierra, los hilos del termopar están en contacto directo con la vaina. Los modelos con diámetros inferiores a 3 mm [0,12 pulg], así como los termopares conectados a tierra, se considerarán conectados galvánicamente al potencial de tierra.

El lado de conexión del inserto de medición consiste en un manguito soldado (transición) que incluye los cables de conexión conectados.

Los termómetros modelo TR12-M-\*DG o TC12-M-\*DG se instalarán en una caja certificada Ex d y Ex t conforme a IECEx TUN 18.0010U o TÜV 18 ATEX 211394 U fabricados por WIKA series 1/4000, 7/8000 o 5/6000. La caja y las tapas son de acero inoxidable o aluminio. Opcionalmente, la tapa puede estar provista de una lente de cristal (mirilla).

Como alternativa, los termómetros se instalarán en otras cajas o conjuntos certificados, tal y como se indica en la lista de cajas e instrumentos Ex d y Ex t de WIKA ATEX e IECEx,, nº de artículo 14011281.08 (consulte los documentos del fabricante para obtener más detalles).

Hay disponibles 3 variantes diferentes de termómetros de proceso modelo T\*12-B-\*DG:

- Variante 1: El termómetro (módulo) modelo TR12-M-\*D\* o TC12-M-\*D\* se monta en una caja vacía certificada en el tipo de protección contra ignición "protección antideflagrante" y "protección contra ignición por polvo". Los terminales están montados dentro de la caja.
- Variante 2: El termómetro (módulo) modelo TR12-M-\*D\* o TC12-M-\*D\* se monta en una caja vacía certificada en el tipo de protección contra ignición "protección antideflagrante" y "protección contra ignición por polvo". El equipo electrónico está montado dentro de la caja.

ES

## 2. Seguridad

- Variante 3: El termómetro (módulo) modelo TR12-M-\*D\* o TC12-M-\*D\* se monta en un equipo certificado (transmisor de campo) en el tipo de protección contra ignición "protección antideflagrante" y "protección contra ignición por polvo".

Los módulos TR12-M-\*DG o TC12-M-\*DG están diseñados para que el usuario final los instale en una caja con certificación Ex d y Ex t. El módulo está marcado sin clase de temperatura, II 2G Ex db IIC y II 2D Ex tb IIIC o 1/2G Ex db IIC Ga/ Gb y II 2D Ex tb IIIC Db. Todas las condiciones y limitaciones descritas para las variantes 1 a 3 se aplican a este equipo combinado. La empresa operadora asume la responsabilidad sobre ello.

### 2.3 Responsabilidad del usuario

La responsabilidad para la clasificación de zonas le corresponde a la empresa explotadora/operadora de la planta y no al fabricante/proveedor de los equipos.

### 2.4 Cualificación del personal

Los electricistas profesionales deben tener conocimientos sobre los tipos de protección contra incendios, los reglamentos y las directivas referente a equipos en zonas potencialmente explosivas.

ES

## 2. Seguridad

### 2.5 Rótulos, marcajes de seguridad



#### ¡PELIGRO!

#### Peligro de muerte por corriente eléctrica

Existe peligro directo de muerte al tocar piezas bajo tensión.

- ▶ No abrir bajo tensión.



#### ¡CUIDADO!

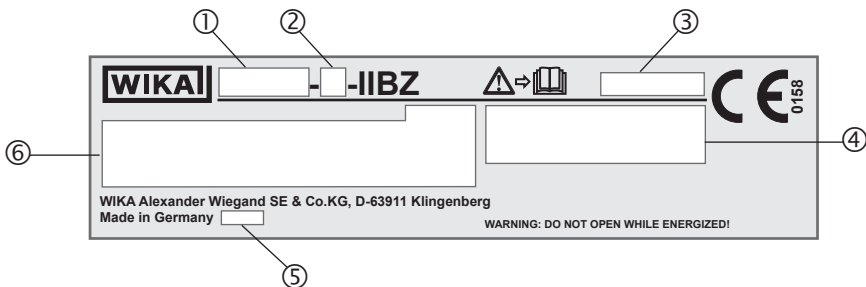
#### Daños materiales por descarga electrostática (ESD)

Cuando se trabaja con circuitos abiertos (tarjeta de circuitos), existe el peligro de dañar los componentes electrónicos sensibles por descargas electrostáticas.

- ▶ Se requiere el uso adecuado de las plataformas con toma tierra y el uso de pulseras.

ES

### Placa de identificación (ejemplo)



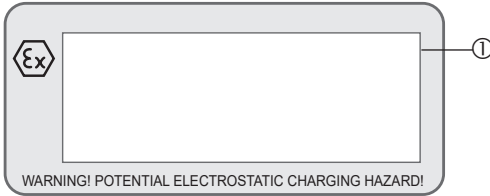
- ⑥ ■ Datos de versión (elemento de medición, rango de medición...)
  - Sin conexión a tierra = Aislado de masa
  - Con conexión a tierra = Soldado en la funda (conectado a tierra)
  - En principio puesto a tierra = El termómetro debe considerarse como puesto a tierra debido a distancias de aislamiento mínimas entre sensor de resistencia eléctrica y revestimiento.
- ① Modelo
- ② A = Unidad de medida extraíble  
B = Termómetro de proceso  
M = Módulo básico
- ③ Número de serie
- ④ Datos relevantes de la homologación
- ⑤ Año de fabricación
- Modelo de transmisor (sólo en la variante con transmisor)

## 2. Seguridad



¡Es absolutamente necesario leer el manual de instrucciones antes del montaje y la puesta en servicio del instrumento!

### Etiqueta adicional del producto (ejemplo)



① Datos relevantes de la homologación



ATEX/IECEX: Temperatura ambiente mínima permitida -60 °C [-76 °F]  
En este caso, la funcionalidad del instrumento se indica con un símbolo de copo de nieve.

Para la aplicación en zonas con procesos de carga elevados o repetidos, deben tomarse medidas de protección especiales.

## 3. Puesta en servicio, funcionamiento



### ¡PELIGRO! Peligro de muerte por explosión

El uso en atmósferas fácilmente inflamables causa peligros de explosión que pueden causar la muerte.

- ▶ ¡Efectuar las tareas de equipamiento sólo en áreas sin peligro de explosión!
- ▶ No abrir bajo tensión.



### ¡PELIGRO! Peligro de muerte por explosión

Al utilizar la unidad de medida extraíble sin un cabezal apto (caja) existe riesgo de explosión que puede llevar a la muerte.

- ▶ Utilizar la unidad de medida extraíble únicamente en el cabezal previsto para este fin.

## 3. Puesta en servicio, funcionamiento



### ¡PELIGRO!

#### **Peligro de muerte por explosión**

La inobservancia de las distancias admisibles entre roscas y de los pares de apriete correspondientes puede provocar la pérdida de la protección contra explosiones.

- ▶ Asegúrese de que el número de roscas engranadas es el indicado en el capítulo 3.6 „Junta roscada“ correspondiente del manual de instrucciones TR12/TC12 con el número de artículo 14064370.

Observar las condiciones especiales (véase el capítulo 4 „Condiciones especiales para la utilización (X-Conditions)“).

### **3.1 Montaje mecánico**

En los cabezales de conexión premontados, la conexión roscada directa del termómetro al cabezal de conexión o a la caja no debe retorcerse ni abrirse. Una alineación de la caja puede hacerse únicamente mediante el cuello divisible opcional.

Las cajas de campo certificadas y homologadas (variante 3) sólo deben ser montadas e instaladas por una persona cualificada y formada según las normas tecnológicas más recientes.

#### **Desmontaje y montaje de la unidad de medida extraíble**

Antes de abrir el dispositivo hay que desconectarlo de la fuente de alimentación y aflojar el tornillo de bloqueo de la cubierta (consulte el capítulo 5.2). En el intercambio de la unidad de medida extraíble no se debe dañar las superficies del antillama. No se admiten rasguños, surcos golpes etc. Los largos y anchos de las holguras del espacio antideflagrante no deben ser modificados.

Para una descripción detallada del desmontaje y montaje, véase el manual de instrucciones TR12/TC12 con el número de artículo 14064370.

ES

## 3. Puesta en servicio, funcionamiento

### 3.2 Tornillo de bloqueo



Apretar siempre el tornillo de bloqueo para impedir la abertura accidental del cabezal antideflagrante.

Antes de abrir el cabezal es imprescindible aflojar lo suficiente el tornillo de bloqueo.

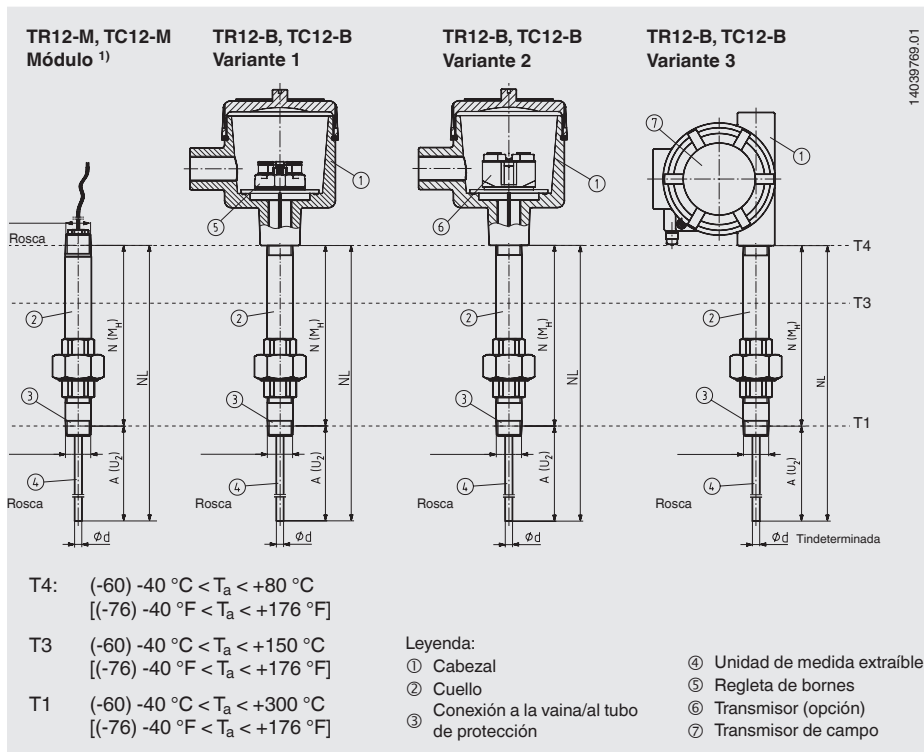
### 3.3 Montaje eléctrico

ES

- Para la instalación del termómetro sólo deben utilizarse componentes (p. ej. cables, prensaestopas, etc.) permitidos para "protección antideflagrante" y, en su caso, "protección mediante carcasa".
- Utilización de un emisor/indicador digital (opción):  
Observe el contenido de este manual de instrucciones y las del emisor/indicador digital, véase el volumen de suministro. - Observar las regulaciones relevantes para la instalación y el uso de instalaciones eléctricas, así como las disposiciones y directivas relativas a la protección contra explosiones.
- La resistencia a la temperatura de los cables de conexión, los cabezales, las entradas de cable y, si es necesario, los conectores de supresión, deberá ser al menos tan alta como la temperatura ambiente máxima permitida, y deberá ser al menos tan baja como la temperatura ambiente mínima permitida.
- No está permitido montar pilas en la caja.
- Montaje en recipiente metálico:  
La caja debe estar conectada a tierra contra campos electromagnéticos y cargas electrostáticas. No debe conectarse por separado al sistema de conexión equipotencial. Es suficiente que la vaina metálica tenga un contacto fijo y seguro con el recipiente metálico o con sus partes estructurales o tuberías, siempre que dichos componentes estén unidos a un sistema equipotencial.
- Montaje en recipientes no metálicos:  
Todos los componentes de termómetros conectados en la zona potencialmente explosiva deben ser provistos de una conexión equipotencial.

## 3. Puesta en servicio, funcionamiento

### 3.4 Indicaciones de seguridad para las distintas variantes



1) No se permite el funcionamiento sin una caja adecuada.

#### 3.4.1 Variante 1

Variante 1: El termómetro (módulo) modelo TR12-M-\*D\* o TC12-M-\*D\* se monta en una caja vacía certificada en el tipo de protección contra ignición "protección antideflagrante" y opcionalmente con "protección contra ignición por polvo". Las terminales están montadas dentro de la caja.

La posición de la etiqueta de identificación del conjunto completo TR12-B o TC12-B se encuentra en la caja o en el cabezal de conexión. El módulo está etiquetado como parte de TR12-B o TC12-B y con un número de serie en el tubo del cuello.

#### Variante 1, uso en zona 1 ó 21

Si el termómetro TR12-B o TC12-B está identificado con II 2G Ex db IIC T1 ... T6 Gb, está previsto para el uso en zona 1.

Si el termómetro TR12-B o TC12-B está marcado con II 2G Ex db IIC T1 ... T6 Gb y II 2D Ex tb IIIC T\* Db entonces está diseñado para su uso en zona 1 o zona 21.

## 3. Puesta en servicio, funcionamiento

### Variante 1, uso en la partición hacia la zona 0

Si el termómetro TR12-B o TC12-B está marcado con II 1/2G Ex db IIC T1 ... T6 Ga/ Gb, entonces está diseñado para su uso con una vaina en la partición de la zona 0. La protección antideflagrante o el cabezal de conexión se encuentra en la zona 1 o en la zona 2. El sensor está dentro de una vaina que sobresale a la zona 0 a través de una conexión a proceso.

Por tal motivo, el termómetro debe operarse con una conmutación limitadora de potencia.

$P_{\max}$ : 2 W

$U_{\max}$ : 30 V

En el circuito de alimentación debe instalarse una fuente de alimentación con una limitación adecuada o un fusible como método de limitación de energía.

Una alimentación con circuitos de corriente Ex ia cumple con dichas condiciones, pero ella no es necesaria si la limitación se logra con otras medidas. La empresa operadora asume la responsabilidad sobre ello.

En la variante 1 no se produce un calentamiento en el cabezal de conexión. Sin embargo, no está permitido un reflujo térmico proveniente del proceso que supere la temperatura de servicio de la caja o la clase de temperatura. Para prevenir este efecto, se aplica un aislamiento térmico adecuado o un tubo de cuello suficientemente largo.

### 3.4.2 Variante 2

Variante 1: El termómetro (módulo) modelo TR12-M o TC12-M se monta en una caja vacía certificada en el tipo de protección contra ignición "protección antideflagrante" y opcionalmente con "protección contra ignición por polvo". El equipo electrónico está montado dentro de la caja.

La posición de la etiqueta de identificación del conjunto completo TR12-B o TC12-B se encuentra en la caja o en el cabezal de conexión. El módulo está etiquetado como parte de TR12-B o TC12-B y con un número de serie en el tubo del cuello.

### Variante 2, uso en zona 1 ó 21

Si el termómetro TR12-B o TC12-B está identificado con II 2G Ex db IIC T1 ... T6 Gb, está previsto para el uso en zona 1.

Si el termómetro TR12-B o TC12-B está marcado con II 2G Ex db IIC T1 ... T6 Gb y II 2D Ex tb IIC T\* Db entonces está diseñado para su uso en zona 1 o zona 21.

### Variante 2, uso en la partición hacia la zona 0

Si el termómetro TR12-B o TC12-B está identificado con II 1/2G Ex db IIC T1 ... T6 Ga/ Gb, está previsto para el uso en la pared divisoria de la zona 0 con una vaina.

La protección antideflagrante o el cabezal de conexión se encuentra en la zona 1 o en la zona 2. El sensor está dentro de una vaina que sobresale en la zona 0 a través de una conexión a proceso.

Por tal motivo, el termómetro debe operarse con una conmutación limitadora de potencia.

$P_{\max}$ : 2 W

$U_{\max}$ : 30 V



### 3. Puesta en servicio, funcionamiento

En el circuito de alimentación debe instalarse una fuente de alimentación con una limitación adecuada o un fusible como método de limitación de energía.

Una alimentación con circuitos de corriente Ex ia cumple con dichas condiciones, pero ella no es necesaria si la limitación se logra con otras medidas. La empresa operadora asume la responsabilidad sobre ello. WIKA recomienda realizar la limitación de potencia mediante un fusible previo en el circuito eléctrico de 4 ... 20 mA del transmisor de cabezal. En caso de fallo de éste, el circuito se interrumpe mediante el disparo del fusible.

#### **Variante 2. Ejemplo para calcular el fusible para una potencia máxima en el sensor de 0,8 vatios:**

La resistencia interna de termopares es netamente menor que la resistencia térmica de un sensor Pt100, por lo cual para la termorresistencia se calcula el caso claramente más desfavorable.

$$P_{\max} = (1,7 \times I_s)^2 \times R_w$$

$I_s$  = corriente nominal de fusible

$P_{\max}$  = potencia máxima en el sensor = 0,8 W

$R_w$  = resistencia del sensor (en función de la temperatura)

a 450 °C = 264.18264,18  $\Omega$  según DIN EN 60751 para Pt100

De ello resulta la siguiente corriente nominal de fusible

$$I_s = \sqrt{P_{\max} / R_w} / 1,7$$

$$I_s = \sqrt{0,8 \text{ W} / 265 \Omega} / 1,7$$

$$I_s = 32,32 \text{ mA}$$

De ello resulta una corriente teórica para un cartucho de fusible G = 32 mA

Indicación para el cálculo de fusible:

Debe elegirse siempre el siguiente valor de fusible más pequeño conforme a IEC 60127. La ruptura debe adaptarse de forma técnicamente razonable a la red de suministro eléctrico. Los valores típicos para estos cartuchos fusibles G se sitúan entre AC 20 A y AC 80 A.

#### **Variante 2. Ejemplo para calcular el fusible para una potencia máxima en el sensor de 0,5 vatios:**

Para una potencia máxima 0,5 W en el sensor de resulta el siguiente valor:

$$I_s = \sqrt{0,5 \text{ W} / 265 \Omega} / 1,7$$

$$I_s = 25,55 \text{ mA}$$

De ello resulta una corriente teórica para un cartucho de fusible G = 25 mA

La suma de las potencias durante la aplicación de sensores múltiples con operativa simultánea no debe superar la potencia máxima admisible.

Resistencia interna de unidades extraíbles  $\varnothing$  6 mm [0,24 pulg] : aprox. 1,2  $\Omega$ /m

Resistencia interna de unidades extraíbles  $\varnothing$  3 mm [0,12 pulg] : aprox. 5,6  $\Omega$ /m

Estos valores medidos rigen para temperatura ambiente.

## 3. Puesta en servicio, funcionamiento

### Variante 2, aumento de la temperatura en la superficie del cabezal de conexión

Para todos los cabezales de conexión WIKA con transmisores de temperatura WIKA incorporados

rige la siguiente relación:

El aumento de temperatura en la superficie del cabezal de conexión o de la caja es inferior a 25 K cuando se cumplen las siguientes condiciones: alimentación de corriente  $U_B$  máximo DC 30 V, cuando el transmisor se opera en la limitación de corriente de 22,5 mA.

En la variante 2 puede producirse un calentamiento en el cabezal de conexión debido a un sistema electrónico fallido. Las temperaturas ambiente se rigen por las cajas utilizadas y del transmisor de cabezal incorporado adicionalmente.

ES

Sin embargo, debe impedirse un reflujo térmico no permitido proveniente del proceso, que supere la temperatura de trabajo o la clase de temperatura del transmisor o de la caja, mediante un aislamiento térmico adecuado o un tubo de cuello suficientemente largo.

#### 5.2.2 Variante 3

Variante 3: El termómetro (módulo) modelo TR12-M o TC12-M se monta en un equipo certificado (transmisor de campo) en el tipo de protección contra ignición "protección antideflagrante" y opcionalmente con "protección contra ignición por polvo".

La posición de la etiqueta de identificación del conjunto completo TR12-B o TC12-B se encuentra en la caja o en el cabezal de conexión. El marcado original del transmisor de campo permanece inalterado.

#### Variante 3, uso en zona 1 ó 21

Si el termómetro TR12-B o TC12-B está identificado con II 2G Ex db IIC T1 ... T6 Gb, está previsto para el uso en zona 1.

Si el termómetro TR12-B o TC12-B está marcado con II 2G Ex db IIC T1\* Gb y II 2D Ex tb IIIC T\* Db entonces está diseñado para su uso en zona 1 o zona 21.

#### Variante 3, uso en la partición hacia la zona 0

Para un eventual uso en la pared divisoria de la zona 0 con una vaina deben observarse las homologaciones y condiciones del respectivo transmisor. Sólo se pueden utilizar los transmisores de campo enumerados por su nombre en el anexo ("Lista de cajas e instrumentos Ex d y Ex t de WIKA ATEX e IECEx" nº de artículo: 14011281.08) del certificado Ex d y Ex t.

#### 3.4.3 Módulos TR12-M o TC12-M

El módulo (respectivamente termómetro) TR12-M o TC12-M consta de un inserto de medición accionado por resorte TR12-A o TC12-A instalado en un tubo de cuello antideflagrante. El inserto de medición en combinación con el tubo del cuello funciona como una junta antideflagrante. El inserto de medición de las variantes estándar es intercambiable y adecuado para encajar en una vaina.

Los módulos TR12-M-\*DG o TC12-M-\*DG están diseñados para que el usuario final los instale en una caja con certificación Ex d y opcionalmente Ex t.

## 3. Puesta en servicio, funcionamiento

Sólo se pueden utilizar los transmisores de campo o cajas indicados en el anexo ("Lista de cajas e instrumentos Ex d y Ex t de WIKA ATEX e IECEx" nº de artículo: 14011281.08) del certificado Ex d y Ex t.

Todas las condiciones y limitaciones descritas para las variantes 1 a 3 se aplican a este equipo combinado. La empresa operadora asume la responsabilidad sobre ello.

No se permite el funcionamiento sin caja o cabezal de conexión certificados.

El módulo está marcado sin clase de temperatura en el tubo del cuello.

Si el módulo TR12-M o TC12-M está identificado con II 2G Ex db IIC Gb, está previsto para el uso en zona 1.

Si el módulo TR12-M o TC12-M está marcado con II 2G Ex db IIC y II 2D Ex tb IIIC Db, entonces está diseñado para su uso en la zona 1 o en la zona 21.

Si el módulo TR12-M o TC12-M está marcado con II 1/2G Ex db IIC Ga/Gb, entonces está diseñado para su uso con un termopozo en la partición a la zona 0.

### 3.4.4 Insertos de medición TR12-A o TC12-A

El inserto de medición accionado por resorte TR12-A o TC12-A está diseñado para instalarse en un tubo de cuello antideflagrante. El inserto de medición en combinación con el tubo del cuello funciona como una junta antideflagrante. Es sólo una pieza de recambio y está marcada por un marcador de cable con un número de serie.

### 3.4.5 Pruebas de componentes

La prueba de componentes, especificado en 16.1.2 de la norma IEC 60079-1:2014, puede omitirse ya que la prueba de sobrepresión conforme a 15.2.3.2 de la norma mencionada se realizó con éxito con una presión de 150 bar [2.175 psi] (4 veces una presión de referencia de 37,5 bar [543 psi]). La estabilidad mecánica está garantizada por el control de calidad.

### 3.4.6 Aplicación en atmósferas de metano

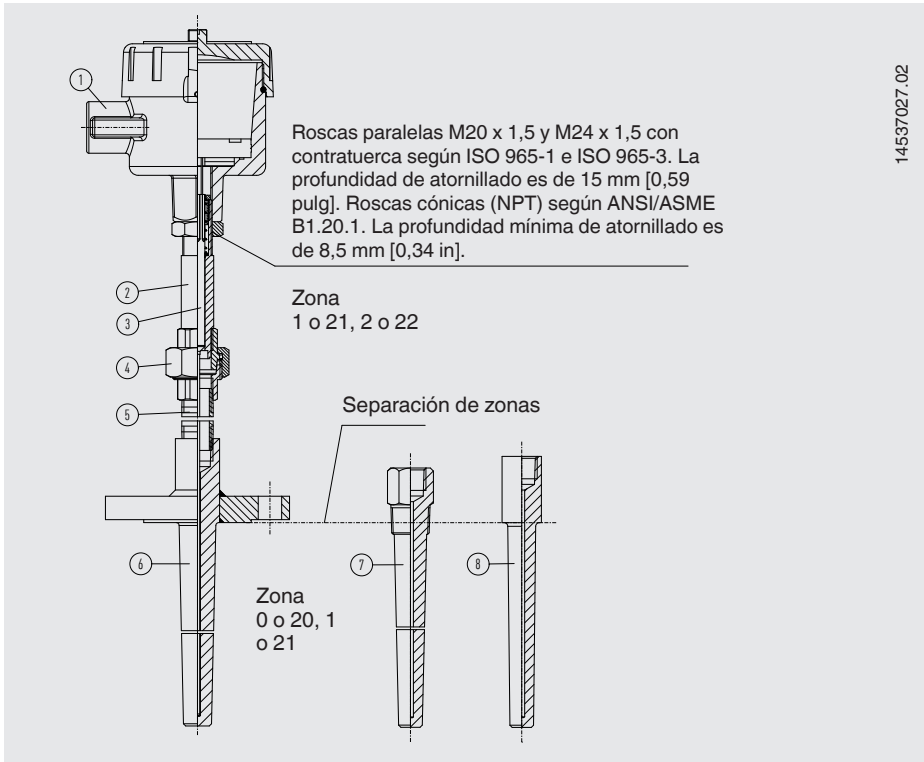
Debido al mayor ancho límite de holgura (MESG) y a la mayor corriente de ignición (MIC) del metano, los instrumentos pueden utilizarse también en atmósferas de gases potencialmente explosivos generadas por ello.

### 3.4.7 Requisitos para la vaina y la pared divisoria

La vaina será de acero resistente a la corrosión con un espesor de pared mínimo de 1 mm [0,04 pulgadas] u otro tipo de metal con un espesor de pared mínimo de 3 mm [0,12 pulgadas]. Se aceptan todos los metales con una contención de la presión de al menos 70 MPa o 700 bar [10.153 psi]. El equipo se diseñará para permitir la instalación de forma que se produzca una unión suficientemente estanca (IP66 o IP67 según EN/IEC 60529) o una unión antideflagrante según EN/IEC 60079-1 (uniones especificadas para un volumen  $\leq 100 \text{ cm}^3$ ) entre una zona peligrosa y la otra.

## 3. Puesta en servicio, funcionamiento

### 3.5 Resumen de las zonas de temperatura



- ① Cabezal
- ② Cuello
- ③ Unidad de medida extraíble
- ④ Conexión roscada separable (ejemplo)
- ⑤ Boquilla de tubo (ejemplo)
- ⑥ Vaina con brida (ejemplo)
- ⑦ Vaina con rosca de montaje (ejemplo)
- ⑧ Vaina soldada (ejemplo)

#### Requisitos para la vaina:

La vaina debe estar fabricada en acero resistente a la corrosión con un espesor de pared mínimo de 1 mm [0,04 pulgadas] u otro tipo de metal con un espesor de pared mínimo de 3 mm [0,12 pulgadas]. Se admiten todos los metales con un límite elástico de al menos 70 MPa o 689.46 bar [10.000 psi].

## 3. Puesta en servicio, funcionamiento

### 3.6 Junta roscada

Durante el montaje se deben cumplir las especificaciones para juntas roscadas de equipos eléctricos en atmósferas explosivas gaseosas enumeradas a continuación:

- Junta roscada de roscas cilíndricas (IEC/EN 60079-1, Tabla 4):
  - Volumen de la caja  $< 100 \text{ cm}^3$ :  $\geq 5 \text{ mm}$  [0,20 pulg.]
  - Volumen de la caja  $> 100 \text{ cm}^3$ :  $\geq 8 \text{ mm}$  [0,32 pulg.]
  - Deben estar roscadas 5 hilos de rosca como min.
  
- Junta roscada de roscas cónicas (IEC/EN 60079-1, Tabla 5):
  - En cada pieza  $\geq 5$
  - Deben estar roscadas 4,5 hilos de rosca como min.

ES

## 4. Condiciones especiales para la utilización (X-Conditions)

### 4. Condiciones especiales para la utilización (X-Conditions)

- 1) Los termómetros certificados modelo T\*12-\* sólo pueden montarse en cajas certificadas indicadas en el anexo „Lista de cajas e instrumentos ATEX Ex d de WIKA“, nº de artículo: 14011281.08.
- 2) Cuando se utilice el termómetro en la zona 0, una vaina adicional debe separar el termómetro del medio a medir. La vaina será de acero resistente a la corrosión con un espesor de pared mínimo de 1 mm u otro tipo de metal con un espesor de pared mínimo de 3 mm. Se acepta cualquier metal con un límite elástico de 70 MPa o 10.000 PSI o superior. El termómetro debe operarse con una conmutación limitadora de potencia. Como medida de limitación de energía, debe instalarse una fuente de alimentación con la limitación adecuada o un fusible en el circuito de alimentación. El dimensionamiento del fusible depende de la clase de temperatura, la temperatura de proceso y la tensión de alimentación (ejemplos de cálculo en las instrucciones de funcionamiento).
- 3) Para las instalaciones de zona 1 o zona 21 también deben realizarse los cálculos para la clase de temperatura límite o temperatura de superficie, la temperatura de proceso y la alimentación de tensión, pero sin los requisitos para el fusible limitador. (ver instrucciones).
- 4) Debe evitarse un reflujó térmico no permitido del proceso, por ejemplo mediante el aislamiento térmico o el uso de un tubo de cuello extendido.  
Se produce un reflujó térmico prohibido si la entrada de calor del proceso supera la temperatura de funcionamiento de la caja o la clase de temperatura.
- 5) Las longitudes de separación de las juntas antideflagrantes de este equipo son a veces mayores y las anchuras de separación de las juntas antideflagrantes son a veces menores que las requeridas en la tabla 3 de la norma EN 60079-1:2014
- 6) Deben respetarse las condiciones y/o las instrucciones de uso que figuran en los respectivos certificados de los dispositivos (transmisores) y las cajas vacías.
- 7) El termómetro sólo debe utilizarse en zonas en las que se impidan de forma fiable procesos de carga elevados o recurrentes debido a las condiciones locales o debido a la instalación protegida para la etiqueta del producto.

ES

### 5. Ejemplos de cálculo para el calentamiento propio en la punta de la vaina

El calentamiento propio en la punta de la vaina depende del tipo de sensor (TC/RTD), del diámetro de la unidad de medida extraíble y del tipo de construcción de la vaina. La siguiente tabla muestra las posibles combinaciones. El calentamiento en la punta de la sonda del inserto de medición desnudo es claramente superior; se ha omitido la representación de estos valores debido al montaje necesario con vaina. En dicha tabla puede verse que los termopares generan un calentamiento propio claramente inferior que las termorresistencias.

#### 5.1 Ejemplo de cálculo para la variante 2 con sensor RTD

- Uso en la pared de separación de la zona 0, marqueje II 1/2 G Ex db IIC T1-T6 Ga/Gb, circuito limitador de potencia mediante fusible previo con 32 mA.

Se busca la máxima temperatura posible  $T_{\max}$  en la punta de la vaina para la siguiente combinación:

- ▶ Inserto de medición RTD de  $\varnothing$  6 mm [0,24 pulg.] con transmisor incorporado, montado en la cabeza, ensamblado con una vaina de cuerpo sólido.

$T_{\max}$  resulta de la suma de la temperatura del medio y del calentamiento propio. El calentamiento propio depende de la potencia suministrada  $P_o$  y de la resistencia térmica  $R_{th}$ . La potencia de cálculo suministrada  $P_o$  resulta del valor normal elegido para el fusible previo y es aplicado ahora en la punta del sensor.

El cálculo se efectúa según la siguiente fórmula:  $T_{\max} = P_o * R_{th} + T_p$

$T_{\max}$  = Temperatura superficial (máxima temperatura en la punta de la vaina)

$P_o$  = 0,8 W (fusible previo con 32 mA, se supone un cortocircuito completo del transmisor)

$R_{th}$  = Resistencia térmica [K/W]

$T_p$  = Temperatura de proceso

#### Ejemplo

Termómetro de resistencia RTD

Diámetro: 6 mm [0,24 pulg]

Temperatura del medio:  $T_p = 150$  °C [302 °F]

Potencia suministrada:  $P_o = 0,8$  W

No debe sobrepasarse la clase de temperatura T3 (200 °C [392 °F])

Resistencia térmica [ $R_{th}$  en K/W] de la tabla = 16 K/W

Calentamiento propio:  $0,8$  W \* 16 K/W = 12,8 K

$T_{\max} = T_M +$  calentamiento propio:  $150$  °C + 12,8 °C = 162,8 °C [325 °F]

Para calcular la distancia de seguridad para instrumentos de tipos probados (para T3 a T6), de los 200 °C, hay que restar 5 °C; por lo tanto la temperatura admisible sería 195 °C. De esa manera, no se sobrepasa la clase de temperatura T3 en este ejemplo.

## 5. Ejemplos de cálculo para el calentamiento propio ...

### Información adicional

Clase de temperatura para T3 = 200 °C [392 °F]

Distancia de seguridad para instrumentos con aprobación de tipo (para T3 a T6) <sup>1)</sup> = 5 K

Distancia de seguridad para instrumentos de tipos probados (para T1 a T2) <sup>1)</sup> = 10 K

La distancia de seguridad para aplicaciones o equipos de la categoría de equipos 1 (zona 0) <sup>2)</sup> = 80 % no procede en esta aplicación.

1) EN 60079-0:2018 párr. 26.5.1.3

2) EN 1127-1: 2019 párr. 6.4.2

### 5.2 Ejemplo de cálculo para la variante 2 con sensor TC

Bajo las mismas condiciones, resulta un valor inferior para el calentamiento propio, dado que la potencia suministrada no solamente se aplica a la punta del sensor, sino a toda la longitud de una unidad de medida extraíble.

Resistencia térmica [ $R_{th}$  en K/W] de la tabla = 1 K/W

Calentamiento propio:  $0,8 \text{ W} * 1 \text{ K/W} = 0,8 \text{ K}$

$T_{max} = T_M + \text{calentamiento propio: } 150 \text{ °C} + 0,8 \text{ °C} = 150,8 \text{ °C} [303 \text{ °F}]$

Como margen de seguridad para los instrumentos de examen de tipo (para T6 a T3), deben restarse 5 °C [41 °F] adicionales de los 200 °C [392 °F]; por lo tanto, 195 °C [383 °F] serían admisibles. Lo que significa que en este caso, no se sobrepasa la clase de temperatura T3.

En este ejemplo resulta evidente que para este caso el calentamiento propio es prácticamente insignificante.

ES





## EU-Konformitätserklärung EU Declaration of Conformity

**Dokument Nr.:**  
**Document No.:** 14031790.05

Wir erklären in alleiniger Verantwortung, dass die mit CE gekennzeichneten Produkte  
*We declare under our sole responsibility that the CE marked products*

**Typenbezeichnung:** TR12-B-ZZZ, TR12-M-ZZZ, TR12-A-ZZZ;  
**Type Designation:** TC12-B-ZZZ, TC12-M-ZZZ, TC12-A-ZZZ;  
TR12-B-<sup>a</sup>[(1, 2, 4)], TR12-M-<sup>a</sup>[(1, 2, 4)], TR12-A-<sup>a</sup>[(1, 2, 4)];  
TC12-B-<sup>a</sup>[(1, 2, 4)], TC12-M-<sup>a</sup>[(1, 2, 4)], TC12-A-<sup>a</sup>[(1, 2, 4)];  
TR12-B-<sup>D</sup>[(1, 3)], TR12-M-<sup>D</sup>[(1, 3)], TC12-B-<sup>D</sup>[(1, 3)], TC12-M-<sup>D</sup>[(1, 3)];

**Beschreibung:** Prozessthermometer Typ TR12 und TC12 zum Einbau in ein Schutzrohr  
**Description:** Process thermometer model TR12 and TC12 for additional thermowell

gemäß gültigem Datenblatt:  
*according to the valid data sheet:* TE 60.16, TE 60.17, TE 65.16, TE 65.17

mit den nachfolgenden relevanten Harmonisierungsvorschriften der Union  
übereinstimmen:  
*are in conformity with the following relevant Union harmonization  
legislation:*

Angewandte harmonisierte Normen:  
*Applied harmonised standards:*

2011/65/EU	Gefährliche Stoffe (RoHS) <i>Hazardous substances (RoHS)</i>	EN IEC 63000:2018
2014/30/EU	Elektromagnetische Verträglichkeit (EMV) <i>Electromagnetic Compatibility (EMC)</i>	EN 61326-1:2013 <sup>(5)</sup> EN 61326-2-3:2013 <sup>(5)</sup>
2014/34/EU	Explosionsschutz (ATEX) <sup>(1, 2, 3, 4)</sup> <i>Explosion protection (ATEX)</i> <sup>(1, 2, 3, 4)</sup>	Refer to annex

- (1) Die folgenden Buchstaben für die Ex-Zertifizierung ersetzen den Platzhalter \*:  
A, B, C, D, E, F, G, H, I, J, K, L, M, O, P, Q, R, S, T, U, V, W, X, Y  
*The following letters for the Ex certification replace the placeholder \*:  
A, B, C, D, E, F, G, H, I, J, K, L, M, O, P, Q, R, S, T, U, V, W, X, Y*
- (2) EG-Baumusterprüfbescheinigung TÜV 10 ATEX 555793 X von TÜV NORD CERT GmbH (Reg.-Nr. 0044)  
*EU type-examination certificate TÜV 10 ATEX 555793 X of TÜV NORD CERT GmbH (Reg. no. 0044)*
- (3) EU-Baumusterprüfbescheinigung BVS 07 ATEX E 071 X von DEKRA Testing and Certification GmbH (Reg. Nr. 0158)  
*EU type examination certificate BVS 07 ATEX E 071 X of DEKRA Testing and Certification GmbH (Reg. No. 0158)*
- (4) Modul A, interne Fertigungskontrolle  
*Module A, internal control of production*
- (5) Gilt nur mit eingebautem WIKA Transmitter. Werden Transmitter von anderen Herstellern verwendet, können diese anderen Normen entsprechen. Es sind dann die mitgelieferten Anleitungen und EU-Konformitätserklärungen dieser Transmitter zu beachten.  
*Applies only to built-in WIKA transmitter. When using transmitters of other manufacturers, other standards may apply.  
The instructions and EU Declarations of Conformity supplied with these transmitters must then be observed.*

Unterzeichnet für und im Namen von / *Signed for and on behalf of*

**WIKAI Alexander Wiegand SE & Co. KG**  
Klingenberg, 2022-11-02

Stefan Heidinger, Vice President  
Electrical Temperature Measurement

WIKAI Alexander Wiegand SE & Co. KG  
Alexander-Wiegand-Straße 30  
63911 Klingenberg  
Germany  
WEEE-Reg.-Nr. DE 92770372

Tel: +49 9372 132-0  
Fax: +49 9372 132-406  
E-Mail: info@wika.de  
www.wika.de

Kommanditgesellschaft, Sitz Klingenberg –  
Amtsgericht Aschaffenburg HRA 1919

Roland Stapf, Head of Quality Management  
Process Instrumentation Corporate Quality

Komplementar:  
WIKAI International SE - Sitz Klingenberg -  
Amtsgericht Aschaffenburg HRB 10505  
Vorstand: Alexander Wiegand  
Vorsitzender des Aufsichtsrats: Prof. Dr. Roderich C. Thümmel  
19AR-03458

## Anexo 2: Lista de cajas e instrumentos ATEX e IECEx de WIKA

The flameproof thermometers type Tx12-B, Tx12-M, Tx12-A<sup>1</sup> must be operated only mounted to the following certified flameproof enclosure/devices with a free volume of less or equal than 2 dm<sup>3</sup>.

The enclosure/device has a protection class of IP65 as a minimum. Entries for flameproof enclosures: Internal metric threads with a tolerance class of 6H or better according to ISO 965-1 and ISO 965-3 or internal NPT threads in accordance with ANSI/ASME B1.20.1.

No.	Variants			Manufacturer	Model name	EC-Type Examination Certificate	IECEx Certificate of Conformity
1	1	2		WIKA	1/4000, 5/6000, 7/8000	TÜV 18 ATEX 211394 U	IECEx TUN 18.0010U
2			3	WIKA	DIH**-F, TIF**-F	BVS 10 ATEX E 158	IECEx BVS 10.0103
3			3	Yokogawa	YTA series	KEMA 07ATEX0130 X	IECEx KEM 07.0044X
4			3	Rosemount	644	DEKRA 19ATEX0076X	IECEx FMG 12.0022X
5			3	Rosemount	3144P	DEKRA 19ATEX0076X	IECEx FMG 12.0022X
6	1	2		Rosemount	Connection Head	Baseefa14ATEX0228U	IECEx BAS 14.0106U
7			3	ABB	TTF300	PTB 99 ATEX 1144	IECEx PTB 12.0039
8	1	2		Limatherm	XD-ID100 series	FTZU 04 ATEX 0332 U	IECEx FTZU 10.0019U
9	1	2		Limatherm	XD-A series	FTZU 03 ATEX 0074 U	IECEx FTZU 14.0003U
10	1	2		Limatherm	XD-S series	FTZU 14 ATEX 0004 U	IECEx FTZU 17.0008U

ES



WIKA subsidiaries worldwide can be found online at [www.wika.com](http://www.wika.com).  
WIKA-Niederlassungen weltweit finden Sie online unter [www.wika.de](http://www.wika.de).  
La liste des filiales WIKA dans le monde se trouve sur [www.wika.fr](http://www.wika.fr).  
La lista de las sucursales WIKA en el mundo puede consultarse en [www.wika.es](http://www.wika.es).



**Importer for UK**  
**WIKA Instruments Ltd**  
Unit 6 and 7 Goya Business park  
The Moor Road  
Sevenoaks  
Kent  
TN14 5GY



**WIKAI Alexander Wiegand SE & Co. KG**  
Alexander-Wiegand-Strasse 30  
63911 Klingenberg • Germany  
Tel. +49 9372 132-0  
[info@wika.de](mailto:info@wika.de)  
[www.wika.de](http://www.wika.de)